

Full time medical service returns to Allora -

Allora Medical Practice now has two full time doctors, since Kaye Ellis returned from her travels to join Dr Leith Geisel. Kaye enjoyed working in several different practices in NSW and Tasmania, but is very happy to be back. The two doctors will be working together to provide a range of services for their patients and to the local aged care facilities.

The practice also has a registered nurse, Liz Henry, who is training as a diabetic educator. She has a particular interest in diabetes, and the practice offers a comprehensive diabetic management program, run jointly by Liz and the doctors. The program is designed to improve diabetic management to prevent long term complications of diabetes.

A new practice initiative is a warfarin management program, that involves in-house testing and dose control, making the process simpler, more convenient and safer for the patient. This only requires a finger prick sample of blood rather than a standard blood test tube. There has been a huge increase in people taking warfarin for various medical conditions, such as atrial fibrillation and deep vein thromboses, to prevent strokes. Warfarin therapy requires very careful monitoring, which we hope to make more accessible to patients.

The practice provides immunisations for children and adults, and would like to remind new parents that they should have a whooping cough immunisation themselves, to reduce the risk of new born babies contracting this disease. When babies have their immunisations, we will also do a check on their health and development, so any problems can be addressed.

The biggest problem the practise has at present is lack of space, which we hope will be addressed soon, as plans for a new building are put into place. The support of the Allora Action Committee, led by Jon Constable and Roy Smith, that is planning and seeking funding for this new building is greatly appreciated.



Left to Right: Registered Nurse Liz Henry and returning Doctor Kaye Ellis

ONE STOP
Window
SHOP Pty Ltd

BSA 1101932

Come and see our display of
Crimsafe Security Grilles

CALL US
FOR A FREE
MEASURE &
QUOTE



Also...

- Emergency Glass (24hrs)
- Roller Shutters
- Mirrors
- Patios
- Blinds
- Awnings
- Skylights
- Shower Screens
- Wardrobe Doors
- Aluminium Windows/Doors

website: www.onestopwindowshop.com

53 Grafton St., Warwick **4661 4660**



WEATHER FORECAST

Day	Forecast	Min/Max
THU	Drizzle. Mostly Cloudy. Mild.	13 23
FRI	Heavy Rain. Mostly Cloudy. Cool.	15 19
SAT	Sunny. Cold.	6 14
SUN	Mostly Sunny. Cool.	3 17
MON	Mostly Sunny. Cool.	5 20
TUE	Mostly Sunny. Mild.	6 24



DENNY'S ENGINEERING & WELDING PTY LTD

MANUFACTURERS, DESIGNERS and INSTALLERS OF COMPLETE SYSTEMS

Elevated Cone Base Grain Silos, 5T-675T

GRAIN SILOS AERATORS CONVEYORS
SEALED SILOS MEAL BINS TUBEVEYORS
FERT. SILOS SPECIAL SILOS BUCKET ELEVATORS

MACHINE SHOP FACILITIES AVAILABLE

- FOR:
- Fitting and Turning
 - Milling of Splines and Keyways, etc
 - Repairs to Machinery and Parts
 - All Welding Repairs

(07) 4666 3266

FAX: (07) 4666 3564

22 SOUTH STREET, ALLORA QLD 4362

SUDOKU

	2	3			6		7	
		4	7				5	
		8	9		4		6	3
		6	2			1	3	
		9		1	8	4		
	7	2	3			5		
2	6		4		7	3		
	4				3	7		
	3		8			6	4	

Solution in classifieds section

Anglican Parish



FETE



Friday, 29th October, 4.30pm

St David's Church grounds, Allora.

- Cakes & Lollies
- Bar
- Bottle Stall
- Jumping Castle
- Dancers
- Stalls
- BBQ
- Face Painting
- Country Music Band
- Merry-Go-Round
- Raffles with great prizes

Knock'em's Entertainment Choirs

Enquiries: Allan 4666 3159

ALLORA RURAL WATCH POLICE

REPORT (August - September 2010)

30/07/10: Unidentified persons have broken and entered the Allora Pharmacy by kicking in the rear door and once inside stealing medications. Police are awaiting the results of DNA examination.

02/08/10: An Allora resident reported computer fraud offence following the purchase of property over the internet and that property not being delivered as stated. Computer Crime squad in Brisbane are investigating.

06/08/10: Two Allora residents were drug diverted following the execution of a search warrant on a residence in the township.

07/08/10: A 28-year-old Willowvale man was charged with driving with a breath alcohol reading of 0.211 after being intercepted by police driving on the Warwick Allora Rd. Toolburra.

09/08/10: A 26-year-old Warwick man was charged with disqualified driving after being intercepted by police driving along Drayton Street Allora.

13/08/10: On the evening of 13/08/10 unidentified offenders have painted graffiti on the Deuchar Massie Hall.

29/08/10: Offenders have trespassed in the Allora tip causing minor damage to property and setting fire to green waste that required attention by Allora QFRS. No injuries.

31/08/10: A 20-year-old Toowoomba resident received community service and a disqualified driver license after he damaged grass at a Goomburra camping area by doing burnouts on 31/7/10.

02/09/10: Police impounded a red Ford Falcon sedan and charged the driver, a 23-year-old Allora resident with a hooning offence following the conduct of a burnout on Herbert Street Allora.

08/09/10: Offenders have broken into a storage shed at Freedom Fuels Allora and stolen soft drinks.

18/09/10: A Toowoomba resident has reported the theft of her Olympus camera while in attendance at the Massie Aerodrome on 11/09/10.

24/09/10: Offenders have damaged wiring, a hydraulic filter and radiator hose on machinery at the Allora State School.

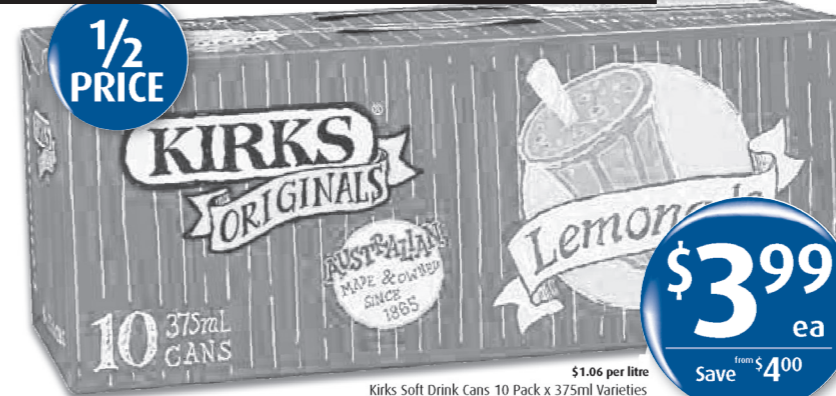
ALLORA

FOODWORKS

Warwick Street, Allora.
Phone 4666 3375 Fax 4666 3841
Open 6.00am - 7.30pm, every day for your convenience.



SPECIALS 18/10/10 - 24/10/10



1/2 PRICE

\$3.99 ea
Save from \$4.00



\$2.99 ea
Save from \$1.00



2\$7 FOR
Save from \$1.58



\$1.79 ea
Save from \$2.00



99¢ ea
Save from 60¢

\$1000 to be won everyday!



To enter, simply spend \$20 or more in a single transaction.

*excluding cigarettes and tobacco products. See in store for full terms and conditions.

- Mighty Soft Crumpet Rounds 6pk99¢
- Arnott's Shapes 160g-200g.....3 for \$5.00
- Purina Fancy Feast 85g.....5 for \$4.00
- Mighty Soft Bread 650g/700g.....2 for \$4.00
- Helga's Bread 600g-850g.....2 for \$6.00
- Wonder White Bread 700g.....2 for \$5.50
- Mighty Soft English Muffins 6pk.....2 for \$5.00
- Promenade Lamington Fingers 18pk...2 for \$5.50
- Thins, Samboy or French Fries 175g..... ANY 2 for \$4.00
- Nestlé Nesquik 250g\$2.29
- International Roast 500g or Nescafé Gold 200g.... \$10.99
- FoodWorks Best Buy Tea Bags 50s.....\$2.29
- Black & Gold Canola Oil 750mL.....\$2.69
- Dolmio Smooth Pasta Sauce 550g.....2 for \$3.00
- McCormick Meal Bases 35g-40g99¢
- Sun Rice Flavoured Rice or 90 Second Rice 200g-250g.....\$1.99
- Sirena Tuna 95g.....\$1.79
- Maggi 2 Minute Noodles 10pk 72g-76g\$4.99
- Meadow Lea Spread 500g.....\$2.79
- Le Rice Desserts or Divine Crème Caramel 2 x 150g.....\$2.49
- Bega Cheese Blocks or Slices 250g.....\$3.49
- Western Star Butter Pats 250g\$1.89
- Daily Juice 2L.....\$4.49
- Cadbury Ice cream 2L.....\$3.99
- Chris' Dips 200g-250g.....\$2.49
- Bulla Ice Cream 4L.....\$6.99
- Lynx Shower Gel 400mL.....\$4.99
- Lynx Anti-Perspirant Deodorant 110g.....\$4.99
- Lynx Bodysoy Deodorant 100g.....\$3.99
- Glad Wrap 33cm x 60m or Glad Bake Paper 30cm x 18m.....\$3.99
- Cold Power Laundry Concentrate 1.8kg/2kg or 2L.....\$10.79
- Pedigree 700g or My Dog 400g.....\$1.69
- Whiskas Vita-Bites Cat Food 1kg.....\$4.29
- Purina Lucky Dog Dry Food 3kg.....\$6.99
- Heinz Nurture Gold Formula 900g.....\$19.99
- Pepsi, Solo, Sunkist, Mountain Dew, Lemonade or Mixers 2L.....\$1.99
- Birds Eye Garden Peas 500g.....\$1.59

DELI SPECIALS

- Premium T-Bone Steak ... \$14.99 kg
- Lamb BBQ Chops ... \$7.99 kg
- Chicken Breast Fillets
- Skin Off ... \$9.99 kg
- Short Cut Rindless Bacon ... \$10.98 kg
- Pork Shoulder Chops ... \$8.99 kg
- Silverside ... \$10.99 kg

FRUIT & VEG

- Asparagus Bunches ... 2 for \$3.00
- Prepacked Sweet Corn 500g ... \$2.45
- Crisp & Juicy Premium Red Delicious Apples ... \$2.68 kg
- 1kg Prepacked Brown Onions ... \$1.45
- Premium Jap Pumpkin ... 89¢ kg
- Bok Choy ... \$1.49 ea

Allora Pharmacy

Jon Constable – 42 Herbert Street

Ph. 4666 3100

Mon. - Fri. 8am - 5pm
Sat. 8am - 12 noon

NAPPY SALE

★★ Be quick - While stocks last ★★

Huggies toddler 10-15kg 24pk.....were \$18.95 NOW **\$13.95**
Huggies infant 4-8kg 32pk.....were \$22.95 NOW **\$16.95**
Babylove Toddler 10-15kg 36pk.....were \$20.95 NOW **\$15.95**
Babylove Walker 13-18kg 32pk.....were \$23.95 NOW **\$18.95**

THIS WEEK ONLY...

Aquasun 30+ Sunscreen 200mLwere \$17.50 NOW **\$13.95**
Dentbest Toothbrushes 3pk **\$3.95**
Lux Luminous touch Body wash 400mL.....
.....were \$5.95 NOW **\$3.95**
Biotene toothpaste 125g.....were \$14.50 NOW **\$8.95**
Sensodyne toothpaste 110g Total Whitening.....
.....were \$9.95 NOW **\$6.95**
Carefree tampons 20 regularwere \$6.50 NOW **\$4.95**

WE PRINT YOUR DIGITAL PHOTOS INSTANTLY!!




follow me'. Her compassionate heart reached out to all who were struggling in the society of her time. She treated each person that she encountered with the greatest of reverence for his or her dignity. She lived from the heart of God drawing from there the resilience to meet the challenges of each day.

The life-changing decisions that she faced as the founder of a new Religious Institute - the Sisters of St. Joseph, were to impact on her physical and mental health. It required of her to set out on long journeys by boat, train and Cobb & Co coaches to visit her Sisters all around Australia and New Zealand. It meant travelling alone to Rome to set the Institute on a firm foundation, by having the Constitutions formally approved by the Roman authorities.

In the latter years of her life she suffered a stroke which was to leave her physically disabled and in a wheel chair. This did not deter her from continuing her role as leader of the Congregation. Mary MacKillop continued her communication through the use of a type-writer and she loved to be taken to visit the children in the school nearby. All of this and more reflect why she has been chosen to be a formally recognised saint of the church.

St. Patrick's will commemorate Mary MacKillop's canonization on October 17 with a Mass at 10.30am, followed by a shared lunch. The celebratory liturgy will include items by the children of our school, and a blessing of a prayer space dedicated to Mary MacKillop.

The Allora community is invited to join us on this festive occasion. Everyone is welcome.



ALLORA GRAIN and MILLING

*Buyers and Sellers of all types of
Seeds and Produce.*

GRAIN and SEED WHOLESALE MERCHANTS

**Ask for our price before
dealing elsewhere.**

**We also Sell Grain and Produce in small
lots to the general public.**

For up-to-the-minute prices ...

PHONE 4666 3293
After Hours 4666 3195



RAILWAY HOTEL ALLORA



October Specials

Carlton Mid Stubs 375mL.....ctn **\$32.99**
VB Stubs 375mL.....ctn **\$42.99**
XXXX Gold 375mL cans30pk **\$42.99**
Tooheys Extra Dry Stubs 345mL....ctn **\$43.99**
Johnnie Walker Red 375mL cans...6pk **\$21.99**
Bundaberg Up 4.8% and Cola 375mL cans 6pk
..... **2 for \$40.00**
Jim Beam White 4.8% RTD 375mL cans 6pk
..... **\$21.99**
Cruiser 375mL btl4pk **\$12.99**
Black Douglas 700mL **\$32.99** or **2 for \$58**
Jack Daniels Bourbon 700mL..... **\$39.99**
Bundaberg Red 37% 700mL..... **\$32.99**
Napoleon French Brandy 700mL..... **\$27.99**
Lordson Gin 700mL..... **\$27.99**
Baileys Irish Cream 700mL **\$25.99**
Jacobs Creek Range 750mL..... **\$7.99**
Penfolds Koonunga Hill 750mL **\$11.99**
Houghtons Stripe Range 750mL..... **\$9.99**
Jacobs Creek Sparkling 750mL **\$9.99**
Yalumba Traditional Casks 2L..... **\$10.99**

SPECIALS END 31 OCTOBER 2010 OR WHILE STOCKS LAST.

**RAILWAY HOTEL
FOOTY TIPPING PARTY**
Saturday, 16th October, 4.00pm onwards

**The Kitchen will be CLOSED on Saturday,
16th October. PIZZAS WILL STILL BE
AVAILABLE. Sorry for any inconvenience.**

Any queries phone 4666 3402



THE SCOTS PGC COLLEGE
CO EDUCATIONAL DAY & BOARDING

SPACE
to learn

- Separate boarding campuses for boys and girls Boarding from Yr 6
- Prep to Year 12 Junior, Middle and Senior Schools

60 Oxenham St Warwick Q. 07 4666 9811

www.scotspgc.qld.edu.au



BAD JOKE OF THE WEEK

A man was out sailing at sea in the middle of a storm when a particularly large wave overturned his boat.

He fell into the sea and was forced to tread water to stay afloat.

He stayed there for several hours until a rescue helicopter flew overhead. A rope was lowered with a lifeguard worker on the end of it. He reached out to grab the man, but being very religious, he said, "No thank you. God will save me eventually."

The helicopter flew off.

After another few hours, a lifeboat came along, but again the man told them to go away, as God would save him.

Eventually, the man died of freezing in the water. As his soul drifted up to heaven, he said to Saint Peter, "Why didn't God save me?"

Saint Peter said, "He sent a rescue helicopter and a lifeboat! What more did you want?"

Peculiar Quotes from Famous Folks...

"And now, will y'all stand and be recognized." - *Gib Lewis, Texas Speaker of the House, to a group of people in wheelchairs on Disability Day.*

"I do not like this word "bomb." It is not a bomb. It is a device that is exploding." - *Jacques le Blanc, French ambassador.*

"My sister's expecting a baby, and I don't know if I'm going to be an uncle or an aunt." - *Chuck Nevitt, North Carolina State basketball player.*

"We're going to turn this team around 360 degrees." - *Jason Kidd, Dallas Mavericks basketball player*

Looking Back...

Sport in Allora

From the late 1920's, golf was an extremely popular sport in the Allora district, to the extent that there were two clubs in existence in the 1930's and 1940's.

In June 1927, Mr. H. G. (Hubert) Deacon convened a meeting that led to the formation of the Allora Golf Club. Mr. Deacon was the foundation president. A lease was obtained over the small Queen's Park on the eastern side of Dalrymple Creek. An agreement was also made with the Allora Shire Council for use of part of the Mountain Paddock, and with the local police sergeant for use of part of the Police Paddock. A 9-hole course was constructed on an area of 10 acres dotted with apple trees. A perennial problem was the keeping of the fairways clear of grass and weeds.

The first match played on the 10th September 1927, was a mixed foursome won by Miss D. Weber and the Rev. G. A. Luscombe with a gross of 68.

In October 1932, the Sunshine Golf Club was formed at Hendon with Mr. W. M. Holmes as foundation president. The club had 20 foundation members with 10 associates. A lease, under extremely favourable terms, was obtained on a 60 acre paddock from Mr. Arthur Masters. A course was laid out using volunteer labour, Mr. John Warfield being made a life member for the work that he had put in during the developmental stages. The official opening, by the Hon. W. A. Deacon M. L. A., took place on the 15th October 1932. A modest club house was constructed using bush timber and galvanized iron. This was eventually replaced using materials from the demolished Hendon Railway Hotel which closed in August 1934. It is believed that the club house was used by evacuees from Brisbane during WW II. The Allora Golf Club closed in the early 1950's and it wasn't until 1992 that the idea was proposed to form another golf club in Allora with a course that included part of the 1920's course.

An advertisement appeared in the Allora Guardian in October 1889, that the Allora Gun Club would be conducting a "Shooting Match, with pigeons galore". This had to be cancelled when it was found to be the closed season for pigeons. In September 1891, Mr. J. H. Gwynne, licensee of the Club Hotel, offered a £50 prize for a "Grand Pigeon Match using Brisbane Gun Club rules". No mention was made of the Allora Gun Club after that date.

The Allora Gordon Gymnastic and Athletic Club was formed in Allora in May 1905 but it was not until 1922 that gymnastics became prominent in Allora with the starting of gymnastic classes by the Allora Cadets and the Girl's Physical Culture Club. These were under the instruction of local Church of England minister, the Rev. Hely-Wilson. Gymnastic displays were given over the next two years in various venues including the Central Hall and the Goomburra grain shed.

In April 1934 four Warwick hockey teams, two men's and two women's, played practice matches at the Allora show grounds. The idea was to try to foster an interest in the game in the Allora district. There was only a small attendance due to other conflicting interests.

In the post war years, an Allora men's team and a ladies team were entered in the Warwick B-grade competitions. The men's team which included Keith Masters, Geoff Slatter, and George Ellis won the Warwick B-grade premiership.

Please visit our web site www.allora-and-district-historical-society-inc.com

EARTHMOVING 
MARK MULLINS

Soil Conservation Specialists
 ♦ Bulldozer and Scraper Hire
 ♦ Dam Construction ♦ Land Clearing
 ♦ Stick Raking ♦ Dam De-Silting
PHONE 4661 3000 **PO BOX 1299**
Mobile: 0427 987 957 **WARWICK QLD 4370**

VETERINARY 37 Watts Rd.
 Freestone Q. 4370
MOBILE SERVICES
 Equine visits via appointment. Full range of Equine Services available including Reproduction, A.I. and Dentistry. Sale yards and agistment available
NEW EQUINE BREEDING PRACTICE Contact - **Dr. Monika Baffy (DVM)**
PH: 0422 474 324 email: baffy_vet@hotmail.com

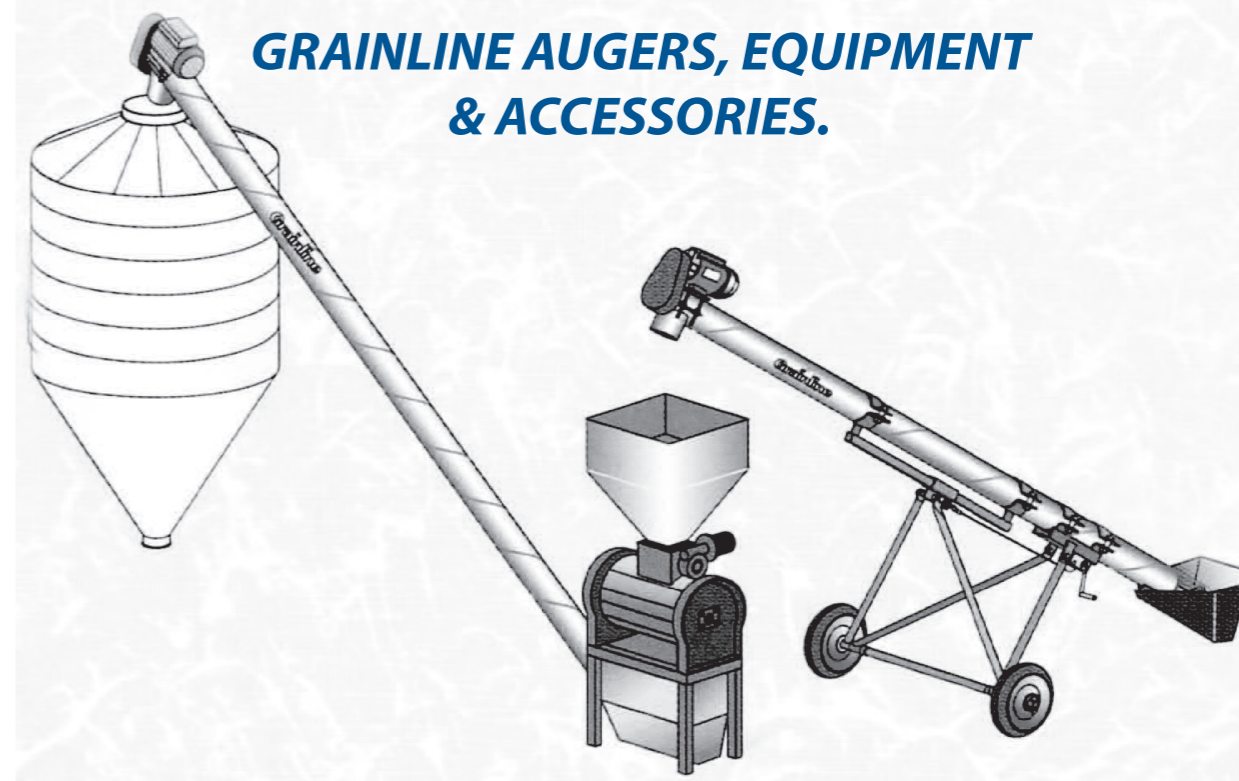
ALLORA SWIMMING CLUB
THE ALLORA AMATEUR SWIMMING CLUB and RAILWAY HOTEL ALLORA present...

MELBOURNE CUP DAY SWEEPS LUNCHEON 2010
2nd November, 11.00am at Railway Hotel Allora
ONLY \$20 PER PERSON
 Includes - Complimentary Glass of Champagne and Savoury Platters on arrival followed by a Delicious 2 Course Meal
 Prizes for Fashions of the Field, including **Best Dressed Couple, Best Hat and Best Tie!**
BIG SCREEN TV
 The Allora Amateur Swimming Club Melbourne Cup Calcutta - Drawn **MONDAY, 1st November, after 7pm** at the Railway Hotel - Be at the Railway by 7.00pm to bid on your favourite horse in the Calcutta. Barry Geitz and Allan Hoey are your auctioneers on the evening. Auction of 24 Horses in the Melbourne Cup.
LUNCHEON BOOKINGS ESSENTIAL
PHONE 4666 3402

"TAKE THE STRAIN FROM MOVING YOUR GRAIN"

RAY BUNCH MACHINERY WARWICK

are your local dealers for



GRAINLINE AUGERS, EQUIPMENT & ACCESSORIES.

Auger sizes range from 10 foot x 4 inch pencil augers to 65 foot x 10 inch mobile augers. Also a full range of accessories including drill-fills, plastic hoppers, flexible grain spouts and much more!

"KEEP THE MONEY IN AUSTRALIA"

by purchasing a **GRAINLINE AUGER**

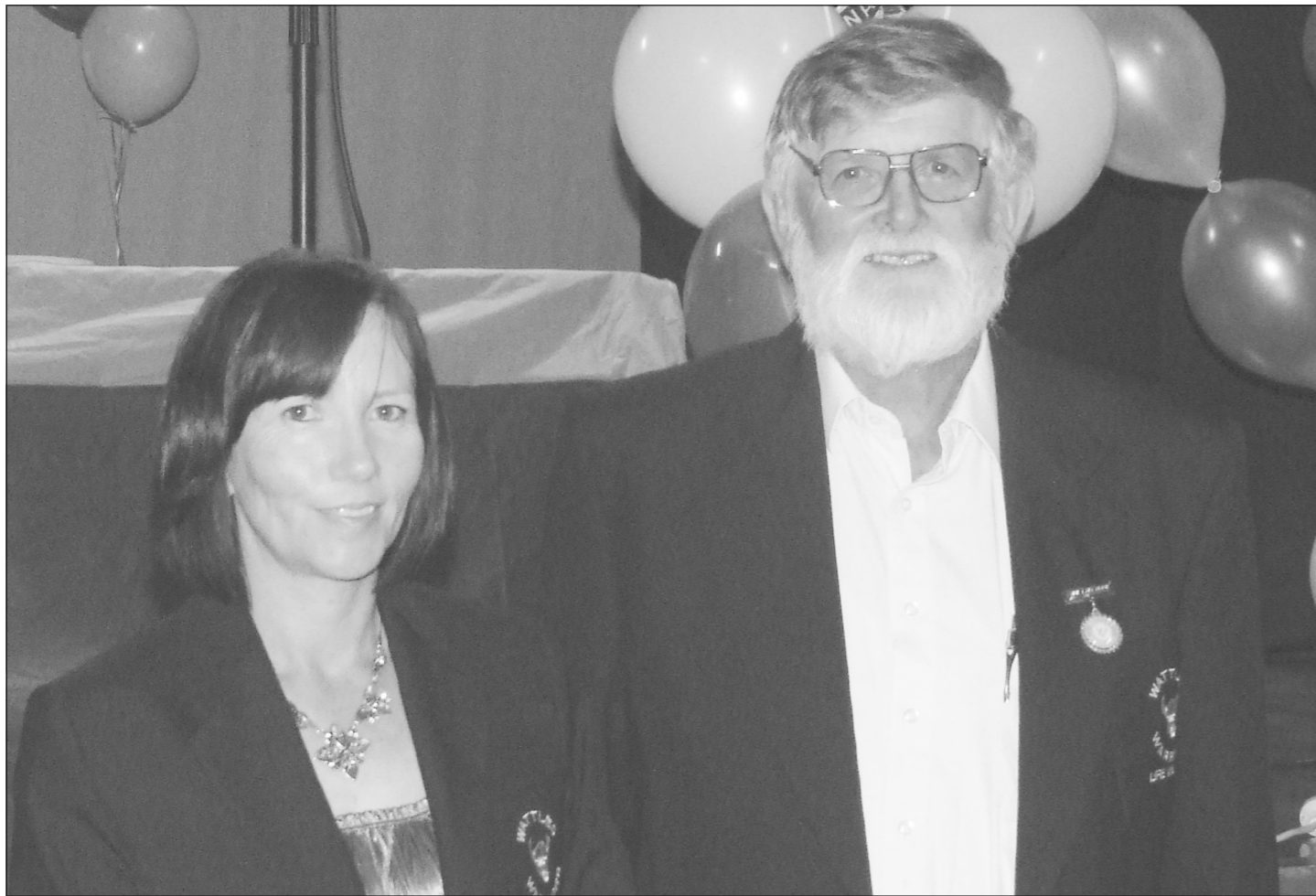
~ **MADE IN AUSTRALIA** ~

RAY BUNCH MACHINERY WARWICK

Ray Bunch (07) 4661 2751 or 0427 912 751

Email: raybunchmachinery@bigpond.com

Lindsay Ruhle (07) 4666 3399 or 0427 318 784



Wattles Life Members Angela Van Der Poel and Peter Cavanagh

Angela & Peter, Wattles Life Members

In front of more than 180 club faithful at a glittering awards night in Allora's Community Hall on Saturday evening, the Wattles Rugby League Football Club honoured two of their most loyal supporters in Mr. Peter Cavanagh and Mrs. Angela Van Der Poel with bestowal of Life Membership. Both have been dedicated workers for the club, giving willingly countless hours for the well being of the Wattles Club, and rugby league in general.

Peter Cavanagh was presented with Wattles highest club honour by Club President Barry Glass and also his mother, a long serving Life Member of the Wattles Club, Mrs. Ilma Cavanagh. Mr. Cavanagh has supported Wattles across a life time, a former player, a mentor and over many years a valued sponsor. His contribution to the game of rugby league across the Darling Downs is significant across more than forty years, especially administration & coaching junior rugby league. His efforts to promote the game and develop young players has seen him recognized with Life membership of the Central Downs Juniors rugby League, Zone 5 Junior Rugby League, the Warwick & District Junior Rugby League, the former Queensland Rugby League South West Division and in recent times was awarded a "Member for Life" of the Queensland Rugby League's Central Division. While obviously a great supporter of junior sport, Mr. Cavanagh has also been very active & supportive over many years within his community, and also in the dairy industry.

While her involvement with the Wattles Rugby League Club is not as lengthy as most to have earned Life Membership, Mrs. Angela Van Der Poel has been a phenomenal voluntary worker for her chosen club. She has provided outstanding, dedicated and loyal service to Wattles as Treasurer in 2008, 2009 & 2010, and also the Secretary in 2007 & 2008. Mrs. Van Der Poel has earned the respect of all in the Wattles RLF Club community due to her efforts on behalf of the club, which convinced the

SHAUN HENRY

PLUMBER - DRAINER - GASFITTER

BSA Authority Lic. No. 707361

Gas Appliance Repairs & Installations

35 Warwick Street, Allora

**Phone
4666 3006**

**- FREE QUOTES -
Prompt attention to all needs**



club committee that she was more than worthy of such recognition. She is also a prominent volunteer worker throughout the Allora community involved in many organizations, including being a Life Member and long time supporter of the Allora Swimming Club. The Van Der Poel family name has become synonymous with the Wattles name, the whole family of Angela, husband Michael, son & Wattles player Justin, daughter Jessica (Wattles RLF Club Secretary), daughter Ally and youngest son Nickel, a Wattles Junior player, contributing immensely to club's existence on a daily basis.

Club President Barry Glass presented Mrs. Van Der Poel with her Life Membership award, a presentation that caught her a little unaware.

The Wattles Rugby League Club can boast an outstanding list of Life Members who have contributed much over the club's 45 year history. The addition of both Peter Cavanagh and Angela Van Der Poel to the list adds significantly to the quality volunteers to have attained Wattles highest honour.

Glyn Rees



Allora's new Fire & Rescue Truck

New Fire & Rescue Vehicle at Allora Station

A new Type 2 Urban Pumper Tanker Medium (UPTM), was delivered to South Western Region (SWR) Allora Station on 6th October.

It is based on an Isuzu FTR 900 Premium chassis with a class leading emission management system (Euro 4) and an Automated Manual Transmission (AMT) incorporating cruise control and Hill start Aid.

The Type 2 appliance is fitted with a 2000 litres capacity water tank, a GAAM Mk450 high pressure fire fighting pump with an output of 2000 L/m @ 700Kpa and 400 L/m @ 2000Kpa plus two 60 metre hose reels.

The appliance is equipped with the latest Road Crash Rescue and Recovery Equipment at a cost of approximately \$60,000 and is fitted with enhanced energy efficient emergency lighting, pneumatic mastlight, thermal imaging camera and a gas detection unit. This equipment will provide better visibility and safety at the emergency scene and increase the vehicle's operational capability.

The new appliance equipment layout is reworked to conform to the standard layout of the larger appliances to allow for greater interoperability between different appliances and their crews. The Type 2 appliance have an operational life of 15 years and costs approximately \$385,000.

Ian Burgess

Dave's Delectable Dish...

Olive and pesto burgers



Serves: 4

Preparation time: 15 minutes

Cooking time: 15 minutes

INGREDIENTS

500 g beef mince
2 tbsp water
1/3 cup basil pesto
1/2 cup pimento stuffed green olives, chopped
toasted bread, rocket leaves diced
avocado, pimento olives and chopped spring onion to serve

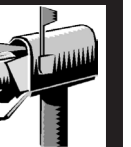
METHOD

Combine the beef mince, water, pesto and olives. Mix lightly, shape into 4 burgers.
Preheat the barbecue flat-plate or pan to moderately-high. Lightly brush the burgers with oil. Add burgers to the barbecue or pan, lower the heat to moderate.
Cook for 6-7 minutes each side or until thoroughly cooked. Turn them once only.
Serve on the toasted bread with the rocket and the combined avocado, olives and spring onion.

TIPS

- Try Tex mex burgers - Add a 35g packet taco seasoning mix and ¼ cup tomato sauce in place of the pesto and olives. Serve with tortillas, shredded lettuce, grated tasty cheese, and chopped tomato and jalapeno chillies.
- Rissoles and burgers should always be thoroughly cooked. They should not be served rare or pink. A good guide is to insert a skewer into the thickest part; if it is ready to eat the juices will be clear.
- Freeze mince you don't intend to use. Uncooked mince can be frozen for 2-3 months. Rather than freezing loose mince in roundish shape as bought from the butcher lay it out flat to freeze. This is important as it allows the mince to freeze evenly and it allows the mince to thaw evenly. Cooked mince dishes can also be frozen for later use.

ALLORA POST OFFICE
Ph: 4666 3419 Fax: 4666 2348



It's our

1st Birthday

Tuesday, 19th October

Come celebrate with us and receive

10% OFF all Gift Items
for one day only

2011 CALENDARS & DIARIES HERE NOW!

POST OFFICE BOXES AVAILABLE



C&K Allora Community Kindergarten



Enrol now for 2011

Vacancies are limited



Phone 4666 3420

Email allora@candk.asn.au



C&K Allora

7 Gordon Street, Allora



C&K Pre-schooling
Professionals
Since 1907

Events Calendar

2010

October -

- Fri 15 St Patrick's Parish Fete**
St Patrick's School Grounds
- Sat 16 High Tea**
Allora Community Hall
- Fri 29 Anglican Parish Fete**
St. David's Church Grounds, 4.30pm

November -

- Mon 1 Calcutta (Allora Swimming Club)**
Railway Hotel Allora
- Tue 2 Melbourne Cup Luncheon (Allora Swimming Club)**
Railway Hotel Allora
- Sat 13 Allora Rotary Open Swimming Carnival**
Allora Swimming Pool
- Fri 26 RSL Womens Aux. Hoy & Cent Sale Evening**
Allora RSL Hall, 7.00pm

December -

- Fri 10 Allora Bush Christmas Street Party**
Herbert Street, Allora
- Sat 11 Warwick Mens Gospel Choir Eveing of Carols**
RSL Hall, Allora, 7.30pm

IMPORTANT INFORMATION for the inclusion of calendar entries - Clients who advertise their events in The Allora Advertiser in a display (box) advertisement sized at least 2 column x 8 cm, will automatically receive, as a bonus, a calendar entry. These entries will be in a 2 line format as above, starting in bold with date and event, and venue and time. For those clients who phone to place their entry in the calendar prior to advertising, the entry will be included as date claimer only, until the advertisement is booked. If people wish to contact The Allora Advertiser and discuss their particular needs, please feel free to do so. Ph 4666 3128.



Bryton Receives Trialers Trophy -

Another Allora Sheep Dog Trials over for the year, and this time one of our youngest competitors, 17 year old Bryton Virgo accepted the Open Trophy sponsored by Beetle and Sue of Allora True Value Hardware. Bryton also won the Improver competition.

Next year we are privileged to be hosting the Qld Championships, date to be confirmed. Thank you to all helpers and supporters.
Charlie Burt

17 year old Bryton Virgo presented with the Allora Sheep Dog Trials Open Trophy by Charlie Burt.



From left back: Aaron Scheid (Tom Webcke Memorial Trophy - Wattles Clubman of the Year), Jesse Keys (Michael Fogarty Memorial Trophy - Wattles Best Team Man), Matthew McCarthy (Kent Muller Memorial Trophy - Wattles Most Dedicated Player), Jason Nightingale (Mick Harrison Memorial Trophy - Wattles Senior Courage Award), Front: Liam Ross (Geoff Slatter Memorial Trophy - Wattles Highest Try Scorer All Grades; Keith "Poe" Masters Memorial Trophy - Representative Player of the Year; Ruddle's Pub Trophy - Wattles 2010 "Colt of the Year") and Carl Gale (Keith "Poe" Masters Memorial Trophy - Representative Player of the Year; Wattles Under 18 "Player's Player"; Under 18 Coaches "Best Team Man"; Whitton Family Trophy - Wattles Junior Footballer of the Year).

GOLD LOTTO \$4 MILLION JACKPOT
SATURDAY, 16th OCTOBER
Call in and grab a Jumbo Quickpick for 36 games or join our store syndicates.

OZ LOTTO \$2 MILLION JACKPOT
TUESDAY, 19th OCTOBER

POWERBALL \$10 MILLION JACKPOT
THIS THURSDAY, 14th OCTOBER

Latest **BETTER HOMES & GARDENS**, **ABC GARDENING** and **DIABETIC LIVING** magazines are now on sale.

Great range of 2011 **CALENDARS** and **DIARIES** are now in stock - great Christmas gifts for overseas friends or relatives.

ALLORA NEWS

PHONE 4666 3362 — FAX 4666 3622

ALLORA BUTCHERY

FREE DELIVERY

EFTPOS AVAILABLE

QLD Sausage King 2010 Chicken Winner

QLD Butchers Choice Winner Hot Pot Casserole

WEEKLY SPECIALS

Rolled Roast.....	\$7.99 kg
Cooked Brisket.....	\$6.20 kg
Cheerios.....	\$5.99 kg
Chicken Kievs.....	\$4.00 ea

(WHILE STOCKS LAST)

★ **Steeles Bread available daily** ★

ORDER FRIDAY'S FRESH FISH TODAY! **11 WEEKS TILL CHRISTMAS ORDER YOUR XMAS HAMS**

68 Herbert Street, Allora. - Grant Lollback
Ph 4666 3355 - 0407 795 439

SEPTIC TANK CLEANING

WARWICK - ALLORA - 4661 7513

DARLING DOWNS SEPTIC SERVICE

Ph 4666 3128
Fax 4666 3822

LOCAL BUSINESSES & TRADERS

Ph 4666 3128
Fax 4666 3822

BOWEN THERAPY - REASONABLE RATES

Bowen therapy can provide long lasting relief from pain and discomfort, and encourage your body to a speedy recovery.
For more information & appointments contact Cathie Wilson, your local accredited Bowen Therapist
393 Forest Plain Rd. Allora
07 4666 2441

DWAN DRILLING & WATER SERVICES

• Bore Drilling, Cleaning & Pump Testing • Installation & Repairs of all Pumps • Windmills & Irrigation Systems
• Centre Pivots etc. • Bobcat with Trencher, Posthole Digger & Excavator Attachments • Semi-Trailer Crane Truck

337 Berat Forest Springs Rd., Allora Qld 4362 **PH 4666 6013 or 0428 612 106**

CHRIS BURNS PLUMBING AND GAS FITTING

BSA 724183
• All plumbing, drainage, roof & gutter repairs • New installations • Blocked drains • Hot water systems • Burst pipes • Toilet, tap repairs • New gas installations, repairs, service & alterations • Form 8 specialists • Caravan gas inspections • Back flow • Buying or selling inspections
Ph/Fax: **07 4666 6064**
Mob: **0419 781 053**
Inverramsay Rd, Goomburra
Servicing All Areas - FREE QUOTES

Dressmaker & Designer • Day ~ Formal ~ Bridal • One off Designs

For appointments phone Shaz **4666 2082**
Mobile **0437 543 958**

ALLORA INDEPENDENT STEEL

Barron Street, Hendon, M/S 765, Allora.
Phone **4666 3502**

For all your Steel Requirements.
Call in and get a quote on your next job.
For Pipe, Panels, Posts and Gutter and Barge for the shed, we have it all in stock.

TREES, SHRUBS & PLANTS

• LANDSCAPING • ADVANCED TREES • LANDSCAPE DESIGN

MARK EVERINGHAM PROJECTS
"Sunnyside" Nobby - Ph **4696 3246** - Fax **4696 3256**
Mobile **0428 987 412**

PAINTING

BSA 70740

Fully Qualified Local Tradesman

Phone Bill **0411 590 201**

FREE QUOTES *Small jobs a specialty*



• SOLUTIONS •

THIS WEEK'S
SUDOKU
SOLUTION

5	4	9	1	2	8	7	3	6
2	6	7	3	9	5	4	8	
8	1	3	7	6	4	5	9	2
9	8	5	6	4	3	2	7	1
7	2	4	8	1	9	6	5	3
6	3	1	5	7	2	9	8	4
3	9	2	4	5	6	8	1	7
1	5	8	2	3	7	4	6	9
7	4	6	9	8	1	3	2	5

JSL Spot Spraying

• Contract spot spraying
• 4WD ATV and ute spray pack
• Chemcert Accredited • Liability insurance
Spraying around - • sheds • Contact James anytime...
• fence lines • silos • paddocks **0407 103 998**
• stockyards • dams, gullies, etc.

P&K CONCRETING

QBSA 1091869

SPECIALISING IN DECORATIVE CONCRETE FOR NEW & OLD

LOCALLY OWNED & OPERATED • Shed Floors • Driveways • Patios • Paths • Cover-Tex • Servicing ALL AREAS • FREE QUOTES
CALL **0400 186 756 - AH 4666 3568**

Junior gardeners come into bloom: Yates and Junior Landcare join forces in a giant sunflower challenge

Children from around the country are being encouraged to don their gardening gloves and discover their green fingers as part of the Yates Junior Landcare Sunflower Challenge.

Children under 16, schools and youth groups are being invited to take part in the challenge by competing to grow the tallest sunflower, the sunflower with the largest head or take the most creative sunflower photo. Participants can register on the Yates Junior Landcare Sunflower Challenge website to receive their free giant sunflower seeds which they can plant in late October or early November and monitor their progress over the spring and summer months.

Kids can grow their sunflowers at home or at school and will need to care for their plants during the hot summer weather. They are also required to log onto the Yates Junior Landcare Sunflower Challenge website once their flower has reached maturity to update the size of their giant sunflower and upload a photograph. The final winners will be announced in March 2011.

"We are delighted to be able to provide encouragement and support to all young budding gardeners out there and to help educate them on the importance of growing produce and the environmental benefits achievable from sustainable gardening practices," said Heather Campbell, CEO Landcare Australia. Judy Horton, Communications Manager, Yates added: "The previous challenges we have run in conjunction with Junior Landcare have been hugely successful and we hope with this challenge we will continue to encourage and foster a new generation of junior gardeners. We also hope the participants will enjoy discovering their green fingers and seeing the results of their labour."

The Yates Junior Landcare Sunflower Challenge follows on from last year's hugely successful Yates Junior Landcare Pumpkin Challenge which saw almost 20,000 children taking part in a competition to grow the largest pumpkin. The group winner was the McGrath family from Toowoomba, Queensland, with a 175kg whopper, while the individual winner was Boyd Wales from Walcha in rural NSW with an impressive 94kg pumpkin.

Yates is also working with Junior Landcare by providing grants to help schools and youth groups undertake School Environmental Management Plans (SEMP). Schools and youth groups across the country can apply for these grants by visiting www.juniorlandcare.com.au.

Anyone interested in taking part in the Yates Junior Landcare Sunflower Challenge can register at www.juniorlandcarechallenge.com.au.

Ph 4666 3128
Fax 4666 3822

LOCAL BUSINESSES & TRADERS

Ph 4666 3128
Fax 4666 3822

ALLORA BUILDING & LANDSCAPING

Supplier of Quarry Products • Trencher • Bobcat Hire • Post Holes • Small Tip Truck

Lot 8, Allora Industrial Estate Mob 0417 784 185 Ph 4666 2073
Fax 4666 2096 Q.B.S.A. 24838

WILSON & RIGBY MOTOR BODY REPAIRS

82 Herbert Street, Allora

✓ Digital Image Quoting ✓ Insurance and Private Smash Repairs
✓ Low Bake Oven Booth ✓ Car-O-Liner Measuring System
✓ Tilt Tray Towing ✓ Supporting customer's right to select their own repairer
Windscreen Replacements



Peter Morton - Mobile 0407 116 391 - vengabu@bigpond.net.au
Phone (07) 4666 3311 Fax (07) 4666 3511

Freedom~in~motion

BOWEN THERAPY

Deb Perry Phone 4666 3276
Dip. BT/Smart Bowen Instructor

6 William Street, Allora - By appointment only

Floor Sanding & Polishing

✓ Boards Replaced
✓ Staircases and Decks Sanded
✓ Free Quotes

Phone George - **0402 521 961**

ELECTRIC GREEN WELDED PRODUCTS

* Livestock Equipment * Crushes etc.
* Portable Panels Phone Andrew
* Loading Ramps **0407 467 364**

Ph 4666 3128
Fax 4666 3822

ADVERTISER CLASSIFIEDS

Ph 4666 3128
Fax 4666 3822

• SERVICES •

BOWEN THERAPY

46 Herbert Street, Allora

Carolyn Crawford

Dip. Bowen Therapy

GIFT VOUCHERS AVAILABLE

Seniors Discount

4666 2258 or 0418 882 410

email carolyn.crawford@hotmail.com

Health fund rebates apply



ALLORA PHARMACY - WATCH REPAIRS - Batteries, Pins, Seals - Best Prices. Phone 4666 3100

MOBILE HAIRDRESSER

Fully Qualified Hairdresser (relocated from Brisbane)

Pensioner Perm Special: from **\$49** incl. hair cut
27th September to 21st October

CALL CHRISTINA 0404 498 004

HANDYMAN SERVICES

FOR ALL THOSE SMALL JOBS YOU NEED DONE

• House Maintenance • Concreting • Lawn & Garden Care
• Small Painting Jobs • Rubbish Removal

CALL **0400 186 756** for prompt attention.

REASONABLE RATES

NOLAN PASTORAL CO.

• Contract Spraying • Harvesting
• 36ft Swather • Hay Sales
• Round Baling
PHONE: **0429 663 411**

STEELE RUDD 24HR TOWING

◆ RACQ Towing Contractor
◆ All Insurance Companies
◆ Farm Machinery Transport
◆ Accident & Breakdown Recovery
◆ Local and Interstate
◆ Free Quotes

Bob Malone
07 4696 3222
"Towing is Our Business"

STEELE RUDD CONTAINER HIRE & SALES

◆ 20 foot
◆ Secure Storage
◆ Relocatable
◆ On Site Storage
◆ Vermin Proof
◆ Delivery Available

Bob Malone
Ph: **07 4696 3222**

• SERVICES •

CEMETERY MONUMENTS - Erected, repaired and cleaned anywhere. Plaques supplied.
Phone **4691 3756** or **0427 449 731**

MOBILE VET

Ross Newman BVSc. (Hons)
Realistically priced vet treatment of Pets and Farm Animals at your home in town or on farm.
Ph **0488 421 445** or **4667 0424**

• GIVE AWAY •

GIVE AWAY - LABRADOR X PUPPIES, 6 weeks old, wormed, not vaccinated. 4 males, 3 females.
Call Kirsty **4666 2113** or **0419 003 462**

• ANNOUNCEMENTS •

Golden Anniversary...

HOLMES - Eric & Gladys (nee Baker), married 15th October 1960, at St. Stephen's Church Toowoomba.

Congratulations Dad and Mum on your 50th Wedding Anniversary.

Love Lindsay, Jenny, Nell & Tim, Ros, Paul, Erica & Tom and all the rest of the family.

Funeral Notice -

NOYCE, Frank Ronald Leslie. Passed away peacefully surrounded by the love of his Family. Loved and devoted Husband to Shirley. Much loved Father to Karen, Alison, Thomas and Barbara. Loved Son to Ronald and Barbara Noyce. He will be sadly missed by all his Brothers and Sisters. Much loved Poppy to his Grandchildren and Great-grandchildren.

Relatives and Friends are warmly invited to attend Frank's Funeral Service to be held at the Centenary Memorial Gardens, Wacol Station Road, Sumner, on Monday, 18th October, 2010, at 10.00am

AFFORDABLE FAMILY FUNERALS
All Areas - 1300 266 224
affordablefamilyfunerals.com.au

• FOR SALE •

GARAGE SALE - 16th October, Saturday only, 8.00am - 2.00pm. Kids grown, time to have a cleanout. Toys, books, baby gear, electrical items, bikes, too much to mention. Come make an offer. 35 Smith Road, Mt Marshall.

GARAGE SALE - Sunday, 18 October 2010, 8.00am - 1.00pm. Car roof rack, nappy cakes (baby gifts), baby, child and adult clothing, designer shoes, paintings, LP player, lots of bargains! Something for everyone! 7 Darling Street, Allora.

ROUND BALES fine, leafy forage sorghum \$55. Barley mulch hay \$5 bale. Barley and canary hay \$6.60
Phone 4666 6251 or 0447 740 110

FOUR WHEEL DRIVES AND UTES
TOYOTA HILUX SR5 4X4 DUAL CAB 2006 - 3ltr D-4D, diesel, auto, bullbar, IPF, spotlights, towbar, electronic rust protection, hard tonneau cover, full sheepskin seat covers, new tyres, Mica Red, one owner, 70,000km. Excellent condition \$37,900.
Phone 0419 942 556 Allora

CAR PARTS AND ACCESSORIES
TYRES - New 31x10.50Rx15LTx16PR Maxxis 751 Bravo Radial 4 of \$600.

BOATING
JETSKI - Polaris SLT 700 1996 3 seater. Excellent working condition, rego, \$3,500 o.n.o.
Phone 0429 383 642 Allora

STIHL MS250 CHAIN SAW - 45cm blade, hardly used due to illness. Only 3 hours work. \$400.
Phone 0402 717 836

• CHURCH NOTICES •

Scots Presbyterian Church - Allora.

THIS SUNDAY AT ALLORA - Service/Sunday School at 9.30am.
Wednesday Evenings - Bible Study at 7.30pm.
KIDS CLUB - 1st & 3rd Friday of each month for prep - grade 7. From 3.15pm - 5.00pm.
YOUTH GROUP - 2nd & 4th Friday of each month, 6.30pm - 8.30pm.
MENS BREAKFAST - Last Saturday in each month, 7.30am.
LADIES BIBLE STUDY - Tuesdays, 10.00am - 11.00am.
Enquiries to Pastor Dennis Mooney 4666 3829.
A Warm Welcome to ALL.

The Anglican Parish of Allora and Clifton - Service Times

St Davids: Allora
Sundays: Holy Communion 10.00am
Saturdays: Holy Communion 1st of month 7.00pm
Wednesdays: Morning Prayer 10.00am

All Saints: Clifton
Sundays: Holy Communion 8.00am

Please note: Children are being especially welcomed at the St David's 10.00am **Kidz Time** services on the 1st and 3rd Sundays of the month.

Visiting Priest - Rev. Ian Turnbull - Phone 4666 3343

The Catholic Community of ST. PATRICK'S, ALLORA

NOTE NEW MASS TIMES - 1st SUNDAY at 9.00am, 2nd & 3rd SUNDAYS at 6.00pm.

2nd TUESDAY (at The Homestead), and 4th TUESDAY, at 9.30am.

LAYLED LITURGY, with Communion - 4th & 5th SUNDAYS at 9.00am. Every FRIDAY morning at 9.30am.

SACRED HEART CHURCH - DEUCHAR - MASS at 10.00am every 3rd SUNDAY.

Ecumenical Prayer Service every 2nd Monday at 7.00pm.

For Church Bookings/Parish enquiries, phone 4666 3377.
St Patrick's Parish School (Prep - Yr. 7), enquiries 4666 4551.

Uniting Church Allora

9.00am Sunday Services.
Enquiries phone 4666 3225. All welcome.

• PUBLIC NOTICES •

LINE DANCE CLASSES - Allora Sports Centre, Tuesday night, 6.30pm till 8.30pm. Any age very welcome.
Contact Jenny 4661 2448



WATTLES R.L.F.C. ANNUAL GENERAL MEETING will be on Wednesday 27th October, 2010 at 7pm, Railway Hotel, Allora



All positions will be declared vacant - nominations for these positions in writing to:

The Secretary Jessica Van Der Poel
Wattles R.L.F.C.
PO Box 9
Allora Qld 4362

Email: anandmick@bigpond.com.au

• PUBLIC NOTICES •

This Friday's St. Patricks Fete

has been **CANCELLED** for 15th October

due to the weather conditions and the state of the parish/school grounds.

The Fete has been RESCHEDULED for NEXT FRIDAY, 22nd OCTOBER

The Art Union Draw will carry through till then.

We apologise for any inconvenience this has caused.



ALLORA MEDICAL PRACTICE

Dr. Leith Geisel and Dr. Kaye Ellis

Surgery Hours are...

**Monday - Friday
8.30am - 5.00pm**

Phone 4666 3336



Wattles Junior RLFC

wish to advise that our

ANNUAL GENERAL MEETING

will be held on **Tuesday, 26th October, at the Arms Hotel, Clifton, starting at 7.30pm**

All committee positions are declared open, and anyone wishing to apply for a position on the committee for 2011 can do so in writing to:

The Secretary,
Wattles JRLFC
PO Box 37,
Allora QLD 4362

The AGM will be followed by the monthly meeting.

Coaching positions are also being advertised. Anyone wishing to apply for a coaching position with Wattles JRLFC must do so in writing to the above address, by the date of the AGM.

Please note, also, coaching clinics for the 2011 U16 and U18 teams will be held in Clifton on Thursday 21st and 28th October, starting at 6.30 pm sharp. All 2011 U16 and U18 players are to attend. Drinks and a sausage sizzle will follow the clinics.

These clinics are being run by the South West Development Officer, Mr Chris McEwan, for the Wattles football clubs. All junior coaches are invited to attend these clinics.

In aid of Vision Australia, Angel Flight & NAB Ovarian Cancer research, You are invited to join us for

**Our 4th Annual High Tea at the Races
2pm, Saturday 16th October 2010**

NOTE CHANGE OF VENUE - Allora Community Hall
Apologies to all for the late change. Enquiries to Sue Stevens, Marg Hentschel, Liz Sparksman, Kelly Robson or Anne Glass.

• LOST & FOUND •

LOST - 3 SANTA X CALVES in the Geitz Road area.
Contact 0414 697 614

• REAL ESTATE •



LAND SALE

- 200 ACRES just east of Allora with good pasture combined with top quality soil types, good bore and sweeping views **\$498,000**
- 173 ACRES of mountain grazing overlooking Goomburra Valley with a large shed and power **\$399,000**
- 40 ACRE block of flat cultivation, 5 minutes from Allora **\$160,000**
- 2 ACRES 10 minutes from town, ready to build on **\$125,000**
- 1811M² residential town block with lots of potential **\$120,000**
- 1.6 ACRES on 2 titles in Maryvale. Nice flat blocks **\$99,000**

Contact John today...
johnd@gnfrealstate.com.au

AGENT: JOHN DENNY 0438 123 697

Phone (07) 4661 4644
Fax (07) 4661 4929
www.gnfrealstate.com.au
61 Albion St., Warwick QLD 4370



• POSITIONS VACANT •

ST PATRICK'S SCHOOL ALLORA



Requires the services of a
STUDENTS' AMENITIES CLEANER
• 5 hours per fortnight

A role description is available from the school office.
Written application including the names of 2 referees to be made to:

The Principal
St Patrick's School Allora
P.O. Box 47
Allora Q 4362

Applications close Friday 29th October, 2010.
Further enquiries: Telephone 4666 3551

Baker Crowned "Warriors" Player of the Year

Tough as teak centre Luke Baker has received just reward for some great performances across a season where he has displayed consistency throughout. The nineteen year old carpenter, who originally hails from Wandoan, is in his first year with the "Warriors". Baker has also reveled in Wattles back row on occasions, a mainstay in the Wattles side that struggled through a difficult year. Baker was a member of a group of players that were all in close contention for Wattles top playing award, the "Clifton Courier Shield" for the club's player of the year. He also joins some very exclusive names on the Shield, including five time winner Cameron Hamblin, three time winner Sam Achilles, former International Test player Greg Platz and future National Rugby League players Robbie Tew and Tony Duggan. Up and coming young star Liam Ross scooped the pool winning a number of awards recognizing an outstanding season, including the prestigious "Rudds Pub" Wattles Colt of the Year trophy, and also the "Geoff Slatter Memorial Trophy" for scoring Wattles most tries in the 2010 season.

The Wattles Club is well advanced in their planning for the 2011 season, two of their coaches for the new season announced on Saturday night. Former QRL South West Division Development Officer Ken Riddiford will take the helm in "A" Grade while Wally McIntosh of Warwick will mentor the Under 18 side. An announcement on the club's Reserve Grade appointment will come in the next week.

Glyn Rees



Ladies Indoor Netball -

In a hard-fought and fast game, All Saints defeated Pink Panthers by six goals to remain at the top of the table last week. Other winners were Mojo's and Allsorts.

This week's draw is: 6.30pm - All Saints v. Chikerboom (Allsorts); 7.30pm - NJam v. Allsorts (Pink Panthers); 8.30pm - Mojo's v. Pink Panthers (NJam); Bye - Tiggers.

Thanks to everyone who helped out with umpiring and scoring.



Nineteen year old Luke Baker, winner of the "Clifton Courier Shield" as Wattles Rugby League Football Club's 2010 "Player of the Year".

BOWLS

Allora Bowls Club -

Coming Events - Doug Christensen will be holding his presidents day on Saturday, 16th October and it is

important we get as many people joining us on this day as we can, in particular club members (uniform for members on the day) but this is an open event so casual bowlers are also more than welcome to attend. Bowls to start at 12.30pm, a barbecue will follow the game for those that would like to have some tea. The annual Terry Masters golf/bowls day is on Sunday, 17th October. Get a team together to have a game and a great day. Stanthorpe bowls club have an open triples carnival on 17th October and if anyone from our club is able to attend this please let me know on 4666 3290 or 0429 042 942.

The highlight for many social bowlers coming into the summer months is the start of night bowling fixtures. This has been a keenly contested and well run event over the last couple of seasons and it is planned to commence night bowls in October. So start grabbing your team mates and get your teams nominated with Greg Patterson who along with Allan Slatter will again be organising this event. This is a great chance for people to enjoy the social aspect of lawn bowls with friends in a relaxed atmosphere. Greg's contact number is 0431 568 818.

Coming up to Christmas is always a busy time of year for the club. If any one would like to book a function at the Sports Club please contact us as soon as possible as dates will fill quickly.



Allora Geared Up for Killarney Clash

All the cricket action for the Allora "Foodworks" Eleven will be at Warwick Cricket Association headquarters, Slade Park, this Saturday when they match up with Killarney. The

match will commence at 12.30 pm sharp.

Last week's second round match against the Sovereign Hotel side was a non event due to wet conditions, the whole round of competition deferred until later in the year.

Allora are keen to get back on the turf after their impressive first Round win over Colts. Killarney were unsuccessful in their initial season hit out against "RSL Diggers", losing by 85 runs. Allora received maximum points for their effort against Colts, and lead the completion with "RSL Diggers", both on six points, currently. Probably doesn't mean a great deal at this early stage, but it was a great start to the year.

The Allora team to take on Killarney this Saturday: Cameron Masters (C), Adam May, Luke Murdoch, Scott Sparksman, Lauchlan Hoey, Brady Glass, Aaron Viether, Sean Coker, Travis McMicking, Cameron Stevens, Kris McLennan.

Any inquiries, contact Glyn Rees on 4666 3803

Glyn Rees