

Allora Advertiser

Your free local since 1935

Issue 3807

Ph 4666 3089 E-Mail editor@alloraadvertiser.com

Wednesday, 14th August 2024

Matthew Creates History

Matthew Denny is Australia's first male discus thrower to win a medal at the Olympics.

Matthew is also the only Olympian to come from Allora.

For an athlete who went to the Paris Olympics to play Discus Matthew made it known there's no more fourth.

So he was super happy with the Bronze Medal saying "not exactly the result but not far off."

Matthew, son of Karen and John Denny, is proud of what he has done and gave thanks to his team and everyone who supported him. His best throw on the day was a huge 69.31 metres.

More photos from Paris page 5



STUNNING EXECUTIVE STYLE PROPERTY ON ACREAGE

\$1,000,000

6 3 5

Nutrien Harcourts

LEYBURN | 236 Tummaville Road

If you have been searching for a phenomenal home to suit a large family, that actually ticks every box imaginable, then look no further than 236 Tummaville Road, Leyburn.

What sets this beauty apart from the rest?

• Good sized acreage property with 27 acres • Very private residence • For a rural location you get great NBN fixed wireless and mobile phone coverage • Gorgeous design that transformed the home from a two bedroom home to what it is today!

Residence:

- A stunning design and impressive layout • Home and sheds are set back towards the rear boundary fence creating privacy
- 4 bedrooms with an additional 2 rooms set aside for either office space, craft or gaming rooms, these could both be utilised as the 5th and 6th bedrooms for this home.
- The Master Bedroom has quality carpeted floors, ceiling fans, spacious walk in robe, ensuite and a separate parent's verandah, fully weather shielded and screened • Master bedroom #2 has ceiling fans, spacious walk in robe and an ensuite.
- Bedroom 3 has built in robes, ceiling fans + access to a Jack and Jill bathroom • Bedroom 4 has built in robes + ceiling fans
- Flooring throughout the home is vinyl wood look floors, very high quality and very low maintenance indeed!
- A kitchen to die for with, 900mm gas cooktop, electric oven, dual porcelain sink, soft close drawers, dishwasher, huge space for a side by side refrigerator, massive pantry with sliding barn doors and a small, hideaway study area.
- Combined dining and living room, complete with wood fire and air conditioning
- Inside laundry, ramp access to outside and clothes line on concrete path • A dedicated library room or wine cellar
- Massive verandah, fully screened and shielded with weather blinds • Crimsafe security doors on all doors to the home.

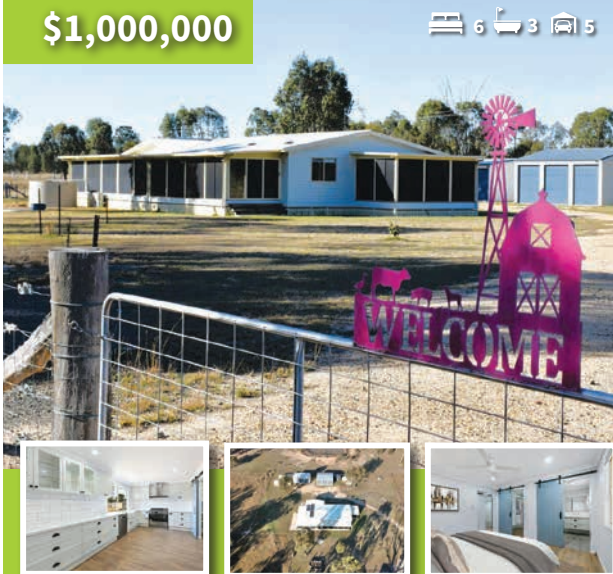
Outside features include:

- All weather gravel road of approx. 484m to the fenced house yard • 3 bay colourbond shed with power and remote roller doors
- 2 bay colourbond shed with power, remote roller doors and workshop bay • 2 garden sheds and Perspex greenhouse
- Dog or sheep pen with power connected and lights installed • Raised garden beds • Ergon power is connected to the property
- 12 panel solar system • 240v auto Honda generator, hard wired and ready to go • 2 dams • 125,000 approx. litres rainwater
- Unequipped bore • Fully stock proof fenced • Vineyard with assorted wine grape varieties • Selectively cleared with good stands of shade and privacy trees left behind, this has lately become a haven for Wallaby and Kangaroo

This is a must see property, contact Ian 0417 077 293 to check it out for yourself.

Nutrien Harcourts Clifton 67 King Street T 4612 3779

www.nutrienharcourtsclifton.com.au



Shar Stitches

- Handcrafted Unique Gifts
- Custom Sewing
- Mending and Alterations

Sharon Dwan - 0457 663 195
shop@sharstitches.com.au www.sharstitches.com.au

Operation WANTED June 1 - August 31

20% OFF DESEXING

An initiative of **RSPCA Queensland**

WARWICK VET CLINIC SINCE 1949

ALLORA VETERINARY CLINIC
60 Herbert Street, Allora, QLD 4362
P 07 4666 3127
Mon - Fri: 8:30 am to 5:00 pm
Sat: CLOSED

warwickvet.com.au

WATTLES WARRIORS RUGBY LEAGUE

SUNDAY 18TH AUGUST PLATZ OVAL

Come along and support your Mighty Warriors!

Reserve Grade 1pm

A Grade 2.30 pm

CANTEEN & BAR FACILITIES

GAME DAY SPONSORS

BARTRANZ PETROLEUM

Clive BERGHOFFER LAND SALES

Farm Spray

Over 100 Years of the Toowoomba Rugby League - the Best Footy in Country Queensland

THANKS TO OUR MAJOR SPONSORS FOR THE 2024 SEASON

A GRADE **stillwater** RESERVE GRADE **Farm Spray** UNDER 19 **TOYOTA** **Black Toyota Warwick**

Search and Rescue at Goomburra

On Friday August 9 a search and rescue operation was launched for a woman in her 20s who went missing at Goomburra Valley on that night.

The woman was last seen at campgrounds on Inverramsay Road, Goomburra around 11.40pm.

An aerial search was conducted, and a land-based search in Goomburra Valley resumed at first light Saturday morning.

A 21-year-old Brisbane woman was located deceased nearby around 8am.

Police will prepare a report for the coroner.



Need Help Running Your Club?



The Department of Sport and Recreation has a new program which offers support and development of community clubs.

The program, ClubIQ is a one stop shop to assist with the everyday running of your club.

There are more than

fifty resources over four key priority areas - Governance, Financial Management, Volunteering and Planning.

The ClubIQ program will be discussed at two separate meetings to be held at the **Warwick Town Hall on Friday 16 August from 12.30pm - 1pm and 4pm - 5pm.** Members of Clubs are most welcome to attend.

For further information phone Tayla on (07) 5669 2157 or email Tayla.whittaker@dtis.qld.gov.au

At Last - Our Hall Is Ready For Action

Allora organisations are happy to have the Community Hall operational again so regular events can return to normal.

The hall has been closed since early March 2022 while repairs were carried out.

Mayor Melissa Hamilton, Deputy Mayor Sheryl Windle Councillor Sarah Deane and Councillor Carla Pidgeon were in Allora on Friday for the official re-opening of the Community Hall. Unfortunately only a small number of people attended the official opening which could have been due to a lack of publicity about the event.

forward to having its hall back, and with the upgrades completed, the hall can continue to be an integral part of the Allora community for the years ahead," Mayor Hamilton said.

For any group or anyone who would like to hire the Allora community Hall, contact Council on 1300 697 372.

At the re-opening Mayor Melissa Hamilton thanked the Allora residents for their patience while the important safety and structural works were completed.

"Council is grateful for the community's patience throughout the repair process. I know the community is looking



Councillor Carla Pidgeon chats with a couple of locals - Wendy Free and Perry Cronin who are both involved with Allora's Museums.



Councillor Sarah Deane, Deputy Mayor Sheryl Windle, Mayor Melissa Hamilton, Councillor Carla Pigeon.



Front entry to the Hall was obviously in need of repairs with new floor covering.

BOB MCKINNON PRESENTS

THE GOOD OLD DAYS OF Rock n Roll

* **JADE HURLEY * LITTLE PATTIE * LUCKY STARR * DINAH LEE * DIGGER REVELL ***

Saturday 12 October 2pm MATINEE

The Empire Theatre - 56 Neil Street, Toowoomba
BOOK NOW: 1300 655 299 or empiretheatre.com.au

This is not a tribute show. This is the real deal!

68 Herbert St., Allora - Aaron Vietheer

P: 4666 3355
M: 0428 627 107
www.allorabutchery.com.au

ALLORA BUTCHERY

This Week's Specials

- Pork Medallions..... \$21.99 kg
- Red Wine & Garlic Steak \$25.99 kg
- Diced Bacon..... \$15.99 kg
- Italiano Lamb Shanks..... \$14.50 kg
- 2kg & over - Beef Mince..... \$15.50 kg
- 2kg & over - Beef Sausages ... \$14.50 kg

(WHILE STOCKS LAST)

FRESH FISH AVAILABLE
ALLORA'S OWN WOOD SMOKED HAM & BACON AVAILABLE!

EFTPOS available
FREE DELIVERY

Norco Milk Available

Amy's COUNTRY CAFE HOME DELIVERY

est. 2009

WINTER MENU

STARTERS	MAIN COURSE
Mozarella Sticks \$8	Beef Stroganoff..... \$15
Bruschetta..... \$10	Lasagne..... \$15
Garlic Bread..... \$6	Chicken Enchilada... \$18
Calamari Rings..... \$10	Garlic Prawns..... \$20
Soup of the Week..... \$15	Shepherds Pie..... \$15

DESSERT
Cake of the Day..... \$6

A range of drinks are available at request. Fresh Bread and Milk available till sold out.

Delivering Wednesday nights between 4pm-6pm throughout Winter (June - August) with the exclusion of school holidays.

4666 3828 or 0421 967 030 TO ORDER OR ENQUIRE

Open Monday to Friday 8am-3.30pm (3pm Fridays)

School Kids Congratulate Olympic Champion

Local Schools put a call out to parents and kids on Friday morning for those interested in congratulating Matthew Denny on his Bronze Medal win at the Olympic Games. Naturally there was a good crowd of happy kids, mums and dads gathered at the Railway Hotel ready for Channel 9 to record this special event, just for Matthew, Allora's super hero!



Gentle Balance
HOLISTIC HEALTH
Kris deKeijzer
Pain - Stress - Energy flow
Learning difficulties
Emotional issues
0437 441 275 www.gentlebalance.com.au

**Kinesiology
Reiki
Massage**
Introductory
Winter Special -
\$70 Massage
July - August
Located in Allora

TOOWOOMBA UPHOLSTERY & RESTORATION
FREE QUOTES
PICK-UP & DELIVERY
T&C APPLY
PHONE 0420 776 157
M-F 8-5PM
14-3b Anzac Ave Toowoomba (Opposite McDonalds on Glenvale Rd) Washington Varela Master Upholsterer

DISCOVER THE ADVANTAGES OF USING A REGISTERED EXPERIENCED INSURANCE BROKER
Rural Insurance Specialists
DIB
DARLING DOWNS INSURANCE BROKERS
Pty. Ltd. ABN 17 054 206 656
Phone 4661 7244
70 GRAFTON ST. WARWICK

Empire's Thrive On Arts Festival



Waru - Journey of a small turtle. (Image - Daniel Boud)

The Empire's popular family festival Thrive on Arts will return from September 26-29, celebrating all things nature and the environment.

This annual four-day festival celebrates play, imagination, creativity and storytelling held during the spring school holidays alongside the iconic Toowoomba Carnival of Flowers.

The program offers a mixture of free and ticketed events for children aged 0-12, including lawn games and activities, Storytime Under the Magnolia Tree, Pat Malone's Magic Garden in the Armitage Centre, craft projects by Tinker and children's tours of The Empire that are part history, part adventure.

A festival highlight is acclaimed First Nations performing arts company Bangarra Dance Theatre with their first children's work, Waru: Journey of the Small Turtle.

This stunning and interactive theatre piece follows the story of

Migi the turtle as she undertakes a journey of discovery and survival under the star-studded skies of the Torres Strait.

Other ticketed experiences include children's physical theatre production A Bee Story, a screening of children's comedy film The Lorax, and First Five Forever's reading of local author Rory Mather's book Roary the Lion with accompaniment by musicians from Toowoomba Concert Orchestra.

The Empire General Manager Giuliana Bonel said Thrive on Arts brings unique experiences to the community and is a perfect way to introduce our youngest audience members to the arts.

Bookings are essential for ticketed Thrive on Arts performances.

For more information or to book tickets to Thrive on Arts performances, visit empiretheatre.com.au

Matthew joined by Allora-ites in Paris



Matthew with proud mum Karen.

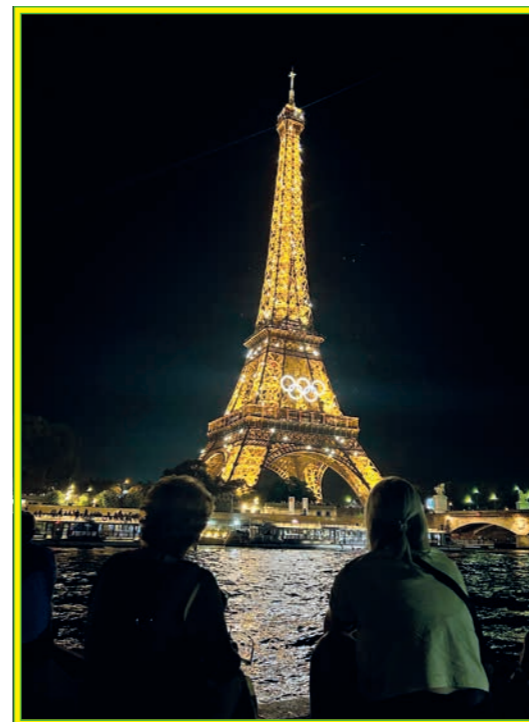


The gang relaxing with the Champ.

DENNY



Matthew with his favourites, Mia & Karen.



ABOVE: Back - room mate Brandon Starc, Laura Starc, Karen Denny, Sue Higgins, Mark Mason, Front - Tom & Adrienne Higgins, Ollie, Mia Denny.

LEFT: Eiffel Tower by night.

RIGHT: Let's "face" it - Allora loves Matthew. Tom, Sue, Adrienne Higgins.



Celebrate Queensland's exporters

Trade and Investment Queensland invites you to join us at the Premier of Queensland's Export Awards 2024 Dinner to recognise and celebrate the success of Queensland's outstanding exporters.

Forty six businesses will be honoured as finalists, with winners announced across fifteen categories followed by the prestigious Queensland Exporter of the Year.

This year there will be a discounted rate for tables of eight for the price of seven tickets – that's a \$250 saving per table.

Date: Wednesday 4 September 2024

Time: 6.00pm arrival for 7.00pm to 10.30pm

Location: Plaza Ballroom, Brisbane Convention and Exhibition Centre, South Bank

Dress: Evening wear/black-tie

Price: \$250 single ticket or \$1,750 for a table of eight. All prices include GST.

Includes: 3-course meal featuring Queensland produce, beverages and entertainment

RSVP: Friday 23 August 2024

For further information email exportawards@tiq.qld.gov.au or go to www.exportawards.qld.gov.au

SEWING WORKSHOPS & DEMOS
Located conveniently in Toowoomba CBD & catering for all your workshop wants!

THE SEWING ROOM
Charlie Tate with Tessa

Sit & Sew Days:
Tues | Wed | Fri
Charlie's Workshops:
Thursdays

Open: 9am - 3:30pm Mon to Fri | 9am - 1pm Sat
16B Prescott St Toowoomba | Ph: 4638 8288

Skin Cancer Don't risk it ...

Skin Cancer Checks
Dr Eddie Roos Dr Albert Vermeulen
Dr Leanne Drew Dr Taz Zamani
NO REFERRAL NEEDED. MEDICARE REBATES APPLY

Cosmetic Elegance Clinic
102 Medici Medical Centre,
cnr Scott/ Curzon St, Toowoomba
Ph: **4638 2700**

Vale – Melinda Hoey

The Allora Show Society members were somewhat stunned and profoundly saddened to read of Melinda Hoey's passing on 26th July. A very endearing obituary by Lisa Hansford in the Allora Advertiser truly revealed the high regard that the community felt for Melinda.

Melinda was a tireless volunteer. Her attitude to the local community was regarded greatly with the realization of the value sponsors provided to the cattle section.

Melinda did like talking to sponsors and they her. Tireless work sorting ribbons, wrapping prizes and ensuring judges, stewards and volunteers were well catered for on show day.

It was recently revealed that the value of sponsorship for the Allora Prime Beef Cattle competitions was vastly higher than surrounding show competitions. Kudos to Melinda for achieving this result.

A storm damaged several stock sheds. Melinda organised a government grant to replace the written off ancient old dairy shed. A shed was built and now houses the tropical breeds each year. Melinda organised numerous working bees to rectify damage done to two other cattle sheds just in time for the 2021 Show.

Mel had never heard of an adze, but under instruction from Graham Bool, become a deft shaver of cattle tie up rails.

Text between Robyn Phelan and Melinda:

Meant to reply to your previous message- particularly to say that the Allora Show went well. At the 'wash up' meeting, it was recalled the hard work that you had put in previously with sponsorship. Something that has now been built on. Well done to you!

Glad "retirement" is going good. Oh wow, I feel humbled to hear that complement, aye. But please always remember, it was a TEAM effort. Without you mob not only helping physically, but also the past experiences that you guys shared, as well as everyone's manner to build and believe in the bigger pictures, and willingness to adjust for that to occur. So, my hat goes off to all of you too.

To sum up... Mel, you were sorely missed by us here at our cattle meets when your illness took over your life. The last time I saw Melinda, sorting out which of her stud heifers she might take to Farmfest, she seemed positive to have her illness beaten... Sadly, t'was not meant to be.

Rewardingly, a plaque, courtesy of Wendy Brown, is to be affixed to the tropical cattle shed. A lasting tribute.

Allora Show Society

BOOKS 4 SUCCESS
NEW CLIENTS WELCOME

BOOKKEEPER & BAS AGENT SERVICES
Free Initial Consultation
EOFY assistance

- BAS preparation & lodgement • Payroll
- Superannuation • Data entry
- End of Month reconciliation
- Invoicing • Financial reports, etc

PHONE 0476 935 924
www.books4success.net
sindy@books4success.net

Advertisement

\$1000 OFF YOUR ENERGY BILLS
FUNDED BY COAL ROYALTIES

20% OFF CAR REGO FEES FOR 12 MONTHS

50 CENT PUBLIC TRANSPORT FARES FOR 6 MONTHS
FROM AUGUST 5

\$200 FAIRPLAY VOUCHERS TO KEEP EVEN MORE KIDS ACTIVE

QUEENSLAND COST OF LIVING ACTION

A PACKAGE OF REAL HOUSEHOLD SAVINGS

To relieve cost of living pressures, help is here now.

Queensland Cost of Living Action is a package of real savings for all households.

Search **Queensland Cost of Living Action** to see how you can save or visit qld.gov.au/CostOfLivingAction

QLD COST OF LIVING ACTION





The Back Paddock

Great Results at EKKA For Local Lamb Producer



Matt and Zaya Wood of Culgoa UltraWhite and Dorper Stud from Manapouri brought home some blue ribbons from this year's Ekka. Results for Culgoa Stud - **First** - Pen of Three Heavy Trade Lambs **Champion** - Grass Fed

Pen of three Prime Lambs **Grand Champion** - Overall Champion Pen of Three Prime Lambs Allora Butchery is proud to be associated with Culgoa Stud so Aaron and his team can supply the best cuts of lamb to his customers.

BRADY INDUSTRIES
SPECIALIST
 Medical Supplies

OPEN TO THE PUBLIC

Selling Direct To You - We'll have just what Your Doctor/Health Carer Ordered!

Open M - F 8:30am - 5pm
 Closed Sat & Sun

Ph: 4639 4545 10 Fitzgibbon St. (Entrance off Robertson St near Tint-A-Car) Mail Orders Welcome
 E: sales@brady.com.au Toowoomba QLD 4350

Don't DEMOLISH.... we BUY and we SELL all homes for removal!!

T.J. KING
 HOUSE RELOCATORS
 0488 787 627

HOUSE REMOVAL
 BUILDING REMOVAL
 RESTUMPING
 RAISING
 OVERSIZE SPECIALIST

Email: tjkinghouserelocators@bigpond.com • Website: www.tjkinghouserelocators.com

feel WARMER SAVE power INSTALL A CHOICES CARPET today!

Choices Flooring

CARPET • VINYL • TIMBER PLANK • LAMINATE • RUGS BLINDS • SHUTTERS

The floor you've been searching for!

37 Prescott St Toowoomba T 4638 7019 www.choicesflooring.com.au O: M-F 8.30-5.00 Sat 9-1.00



The Back Paddock

Take Extra Precautions If Hosting Wind Turbines

AgForce is increasingly concerned that delays to urgently needed reforms to the Wind Farm Code could put agricultural landholders at potentially crippling financial risk.

Queensland's peak representative body for farmers is disappointed that despite a review of the Wind Farm Code last year, the Queensland Government has not released any reforms to the Code since.

AgForce is now urging any primary producers considering hosting wind turbines on their property to take extra precautions.

CEO Michael Guerin says it's vital that landholders not jeopardise the future of their farms by being too hasty to develop before proper policy protections are in place.

"AgForce recommends that any landholder considering hosting wind turbines insist on a bank guarantee from the wind farm company to cover the cost of decommissioning the wind farm," Mr Guerin says.

"This covers you in case the wind farm company fails to perform the decommissioning themselves.

"It's also the advice from the Australian Energy Infrastructure Commissioner."

Mr Guerin says that proper security in the form of a bank guarantee must be sought by landholders before any

development takes place, to ensure they are not potentially burdened with the huge costs associated with decommissioning the wind farm.

"Through necessity this system of security was developed in the resource industry to ensure that huge rehabilitation costs were not worn by the taxpayer," he says.

"We are increasingly concerned that the Queensland Government has not addressed this in the same way that it brought in legislation for the resource industry to ensure bank guarantees cover decommissioning as part of the approvals process."

AgForce is aware that the Queensland Government is currently reviewing the Wind Farm Code, and was expecting a revised Code would be released in early 2024. As at the end of July there has been no revised Code.

"AgForce made a detailed submission to the Queensland Government regarding the review and would welcome the opportunity to have further input.

"It is very concerning to us that the Queensland Government has not resolved this issue, whilst at the same time landholders are being encouraged by wind farm companies to sign agreements without proper security in the form of a bank guarantee.

"We do not consider promises to pay into funds at some future

date as constituting proper security."

He says the policy reforms are particularly needed to safeguard against statements such as those made recently by former corporate adviser on Low Emissions Technology and former National Chief Scientist Dr Alan Finkel that approvals processes for renewable energy projects are taking too long (ABC's Southern Queensland and Capricornia Rural Report, 16 July).

Dr Finkel told the ABC that this gave other countries a competitive advantage to meet their global emissions reduction targets, and that Australia should follow Europe's example by requiring that a project is either approved

or denied within 12 months and that regulators and the courts must take into account the overriding public interest in making the decision.

AgForce has serious concerns with the ideology that it doesn't matter if local biodiversity is impacted if the overriding public interest is served to reduce global warming and global biodiversity damage.

"Such statements completely ignore the rights of landholder who will be hosting these renewable energy projects and reinforces the idea for city voters that destroying farmland is for the greater good," Mr Guerin says.

SPRAY
 LIKE A PROFESSIONAL
 Battery Powered Commercial Sprayers from **solo**

NOW IN STOCK
 Up to 5 Year Guarantee*
 Quality German Engineering

www.solosprayers.com.au

RUSSELL & SONS (QLD) PTY. LTD.
 Dairy Engineers, Pumping & Machinery Agents

18A Goggs St Toowoomba Phone 4688 9222
 www.russellandsons.com.au

BARTRANZ PETROLEUM
 KEEPING IT LOCAL

www.bartranzpetroleum.com.au Justin Barton (Director) 0439 972 223
 orders@bartranzpetroleum.com.au Brad Eyre (Warwick Operations) 0437 980 889
 Lot 1 New England Highway ALLORA Q Jamie Saal (Pittsworth Operations) 0458 933 604

Warriors Dominate in Danes Kennell



Half back Matt Duggan led a polished Wattles Warriors first grade outfit on an eleven try rampage to overwhelm the Pittsworth Danes 60 – 24 at Club Pittsworth on Saturday evening.

Duggan showed his usual playmaking flare as he set his team in motion enroute to an important win for Wattles in the Round 17 clash, allowing them to hold fourth place on the ladder ahead of the Dalby Diehards on for and against.

Hooker Tom Hatch showed his class as did fullback Jackson Green and threequarters Matt Christensen, Andrew Richardson & Lachlan Watt.

Exciting right wing finisher Joe Willett cashed in with a hat trick of tries while fellow backs Christensen and Green collected a double each.

The Danes laid claim to the contest in the opening stages stretching out to a 12 – 0 lead after tries by home side winger Jordan Fraser-Bellette and fullback Kyle Brose.

The experience of that man Duggan shone through soon after to escort Wattles to the scoreboard, drawing the defence before offloading to ever dependable back-rower

Tyson Stevens who was well up to the task of making the necessary metres in traffic to the line for the Warriors initial touchdown.

Stevens' four-pointer, along with four others went unanswered as Wattles dominated the first half to lead 28 – 12 by the half time hooter.

When hooker Tommy Hatch scrambled over early in the second stanza it signalled the start of a six try sequence with the visitors maintaining the momentum throughout the final forty minutes.

While centre Tanti Pipi and second-rower Liam Short crossed for tries in the second half encouraging the home crowd, Wattles had the game firmly in their grasp.

Western Clydesdales aligned 23-year-old front-rower Penisimani Teupa was an imposing challenge for the Danes at 186 cm and 117 kg.

He certainly made his presence felt in Wattles go forward and was rewarded with a try in the winning total, adding plenty of starch to an on-song pack including Cooper Tate-Roche, Jacob Leach & Tyson Stevens in full stride.

Winger Isaac Leach was drafted into the Warriors line-up after seasoned finisher Mitch Bourke fell victim to illness late in the week.

Leach, younger brother of tough forward enforcer Jacob Leach, collecting his third top grade try in his second first grade match of the season.

The injury affected Warrior's line-up included a familiar face in premierships winning forward Dale Perkins who came off the bench in his first top grade contest since the 2022 Grand Final.

Ballandean based Perkins, who has been a regular with the Stanthorpe Gremlins in 2024, is a Wattles dual registration.

Coach Travis Burns' focus this week is to have his top graders finish the fixture season on a high note by dispatching the Goondiwindi Boars at Platz Oval next Saturday to further firm in the top five.

Wattles 60 (Joe Willett 3, Jackson Green 2, Matt Christensen 2, Matt Duggan, Isaac Leach, Thomas Hatch, Penisimani Teupa tries; Brayden Paix 6, Thomas Hatch 2 goals)

Pittsworth 24 (Jordan Fraser-Bellette, Kyle Brose, Tanti Pipi, Liam Short tries; Jordan O'Shea 4 goals).

Reserve Grade - After a disappointing result against the Warwick Cowboys in their previous outing, the coach was thrilled with his side's gritty 18 – 14 win over the Danes, "it was certainly great to get what was an important win, Pittsworth had plenty of size and they threw everything at us."

Wattles built steadily on a 10 all half time score to snatch the premierships points and lock into third place on the ladder.

Seasoned lock forward Nick Morris stood tall in the result, with hooker Jack

Duggan and five-eight Ryan Stevens key performers.

Wattles 18 (Dale McAntee 2, Jacob Meddleton, Marley Tunstead tries; Tom Morris goal)

Pittsworth 14 (Sebastian Thompson 2, Ausage Meauli tries; Jake Johnston goal)

Under 19 - Wattles Colts staged a sterling fightback to secure a 20 – 20 draw with the Danes, a gutsy resurgence considering they jogged in at half time trailing Pittsworth 16 – 6.

The only green and gold points of the first half came through a touchdown by team skipper Reuben Sullivan.

The second stanza saw them rally scoring three tries through hooker Bryce Stewart, second-rower Darcy Betts and winger Jack Wright to a single by the Danes and secure a premierships point and share match success.

Fullback Lachie Clements continues his outstanding form, with forwards Paul Costello and Darcy Betts paving the way in the centre.

The welcome draw has Wattles Under 19's locked on to fifth rung on the premierships ladder.

Wattles 20 (Reuben Sullivan, Bryce Stewart, Darcy Betts, Jack Wright tries; Koby DeLuca 2 goals)

Pittsworth 20 (Patrick Quinn 2, Clay Dempsey, Ethan Brose tries; Lachlan Thompson 2 goals).

Glyn Rees

Wattles Juniors Celebrate Under 13 & 15 Team Wins



Wattles Under 10 team were in outstanding form against Stanthorpe on Saturday. William Ehrlich, Tommy Saville, Lochlan Wapau, Chaz Daly, Henry Ferguson, Rhys Gascoyne, Henry Johnson, Aiden Heart, Patrick Potts, Hunter Ryan, Joseph Ramsey, Jackson Wilson & Toby Schmidt in front. (image – Emma Marchant)



Wattles juniors trekked to the Granite Belt last Saturday challenging the Stanthorpe junior Gremlins in Round 14 Warwick & District Junior Rugby League fixtures.

Stanthorpe's superb Sullivan and Crisp Ovals hosted action in Under 6, 7, 8, 9, 10, 11, 13, 15 & 17 & Under 15 Girls League Tag age grades, while Wattles Under 12 boys & Under 18 girls sat out a bye.

Clifton Upholstery Under 6 - Wattles determined Under 6 line-up are powering into the season's end a group of very learned young players after their first season of rugby league.

Coach Nick Van Der Poel is ever encouraged by the performance of his youngsters, and their commitment to doing their best, which was evident yet again against Stanthorpe.

"Each week our game basics centred on attack & defence improve."

According to the coach it's "top marks" for Bailee Monckton,

Ollie Van Der Poel, Rupert Ferguson, Jack Wilson, Aubrey Thompson-Clearly, Billy Byrne, Dusty Sauverain, Alex Nelson and Murphy Knight.

Black Toyota, Warwick Under 10 - Chris Ryan is a very happy coach after seeing his young team play to their ability on Crisp Oval against the Gremlins, Wattles running away with a ten tries to two victory.

Coach Ryan heaped praise on his Under 10 team after what he rated "a brilliant team effort."

A highlight of the contest was the outstanding running game of Henry Johnson that resulted in him crossing for five touchdowns.

Toby Schmidt bagged a try double, Rhys Gascoyne and Hunter Ryan also scoring with a beaming Aiden Hart claiming his first try of the season.

William Ehrlich and Carter Lyons both shone in defence while Rhys Gascoyne and Hunter Ryan had busy all round games.

Joey Ramsey earned respect with his straight running and off loads while Patrick Potts continues with his consistent improvement.

Coach Ryan yet again offered his many thanks to Under 9 players Henry Ferguson, James Patterson and Chaz Daley for stepping up and playing another full game for 10's.

Nutrien Harcourts Clifton Under 13 - After a dominant

Wattles first half that saw them head to the break leading 24 – 6, the Gremlins staged a determined fightback to lead 30 – 28 in the closing minutes of a thrilling game.

The Warriors got away to a solid start in the game with two tries by second-rower Cooper Zadow.

Lock forward Jade Bailey scored a sensational touchdown in the final seconds rescuing a victory for Wattles.

Hooker Noah Hart was outstanding in the middle with his service and defence, while Cooper Zadow and halfback Jake Burns also shone for the Warriors.

Wattles 34 (Cooper Zadow 2, Jade Bailey 2, Bailey Gascoyne, Jed Hinz tries; Jake Burns 5 goals) defeated Stanthorpe 30.

Drayton Medical Centre Under 15 - Wattles premierships ladder leading Under 15 line-up were far superior to the Gremlins on Saturday running out more than convincing 58 – 6 victors.

Ben Rauchle and Zac Wheeldon claimed a hat trick of tries each, both now boasting a tally of fifteen across the season.

Wattles 58 (Zac Wheeldon 3, Ben Rauchle 3, Orry Gilmore 2, Zavier Dalsanto, Angus McArthur, Jack Burton tries; Ty Betts 3, Riley Fitzgerald 3, Orry Gilmore goals) defeated Stanthorpe 6.

All In Electrical Under 15 Girls League Tag - Coach George

Berry was more than enthusiastic about the efforts of his Wattles Under 15 girls team, who finished behind Stanthorpe by a slim 10 – 0 margin, after both sides were locked on the scoreboard 0 – 0 at the break.

"Once again the effort was there in abundance" said Coach Berry, "our defence was very good across the field and cover defence was always there in numbers, while our kicking game and kick chase was strong gaining valuable field position."

While those in green and gold gave their all, handling errors prevented the team gaining any real momentum, and while Wattles made plenty of breaks, unfortunately they weren't able to capitalise.

Coach Berry rated his team's performance highly, "they improve with every game they play, and so many positives to take away from Saturday's narrow loss."

Farm Spray Under 17 - Stanthorpe 18 defeated Wattles 14 (Ben Barbierato 2, Jack Phelan tries; Ben Barbierato goal).

Warwick & District Junior Rugby League - Round 14 - In what is the last fixture Round for the season heading to the commencement of the final's series, Wattles head south to Warwick this Saturday up against the Collegians Dragons.

Glyn Rees

Allora Advertiser

Phone: 4666 3089
Email: editor@alloraadvertiser.com

Published every Wednesday by OurNews Pty. Ltd.,
53 Herbert Street, Allora Qld 4362
Printed by Greenridge Press, 4 Freighters Avenue,
Toowoomba Qld 4350

**DEADLINES: Display Advertising 12 noon Friday
Classifieds Advertising 9am Monday
Editorial 5pm Monday**

Distributed throughout Allora, Goomburra, Mt. Marshall,
Forest Springs, Deuchar, Hendon, Upper Wheatvale, Talgai,
Clifton, Tudor Valley and Warwick.

- Copyright in all advertising and Editorial material, except where otherwise held, resides at all times with The Allora Advertiser; such copyright will not be released to any other party except by written permission. Production charges and reproduction fees will apply.

- Responsibility for all unsigned electoral material in this publication is accepted by E.A. Rogers, 60 Clark Street, Clifton.

- Errors and Omissions Policy: All care is taken in the production of advertisements. Errors, if drawn to our attention promptly, will be corrected in the next issue. Refunds may be given. The proprietor of The Allora Advertiser cannot be held responsible for errors or their subsequent effects. The right is reserved to alter, abbreviate or omit advertisements for any reason.

CREATIVE CORNER



WORD ↔ MATCH-UPS

Match up the equipment with the sports.

- Goggles
- Sand Pit
- Baton
- Tyres
- Track Spikes
- Wickets
- Heavy Bag
- Belt
- Cleats
- Ear Plugs
- Relay Race
- Cycling
- Swimming
- Karate
- Boxing
- Long Jump
- Soccer
- Running
- Shooting
- Cricket

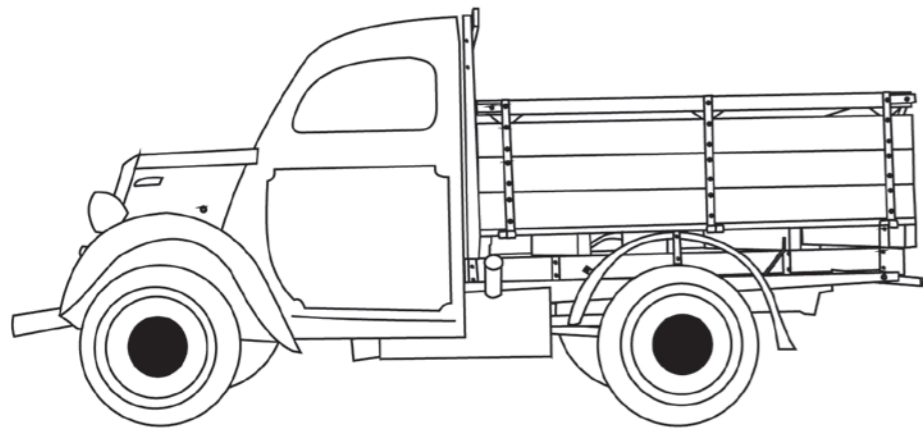
Solution this page below

SUDOKU

						6		3
6	8					2		
	7	3	6			4		9
8	3	4	5	9				6
5			7	3		9		
7		6		4	1			5
		8	1	7	4			
	2		3			7	6	
			2	6	5	8	9	1

Solution this page

COLOURING FUN



Helen Harm
Real Estate

0408 457 496

BAD JOKE OF THE WEEK

A couple of ants were playing soccer in a saucer. One said to the other - "You'll have to do better than that Adam... we're playing in the cup next week."

TODAY'S QUOTE -
"When in doubt, try to look intelligent"

SUDOKU

3	4	7	2	6	5	8	9	1
1	2	5	3	8	9	7	6	4
9	6	8	1	7	4	5	3	2
7	9	6	8	4	1	3	2	5
5	1	2	7	3	6	9	4	8
8	3	4	5	9	2	1	7	6
2	7	3	6	5	8	4	1	9
6	8	9	4	1	3	2	5	7
4	5	1	9	2	7	6	8	3

WORD MATCH-UPS

- Goggles - Swimming, Sand
- Pit - Long Jump, Baton
- Relay Race, Tyres - Cycling
- Track Spikes - Running
- Wickets - Cricket, Heavy
- Bag - Boxing, Belt - Karate
- Cleats - Soccer, Earplugs -
- Shooting

SOLUTIONS

ADVERTISER CLASSIFIEDS

Phone 07 4666 3089
Email editor@alloraadvertiser.com

• ANNOUNCEMENTS •

In Memoriam -

JACQUELINE MARY GALLAGHER -
Passed away 16th August 2023.

*Forever in our memory
Always in our hearts*

We miss you every day.

Marie, Denise & Brian



• CHURCH NOTICES •

Uniting Church Allora

SERVICE THIS SUNDAY AT 9.00AM.

Enquiries phone 4666 3225. All welcome.

Allora/Clifton Anglican Church

ALLORA - 10am Sunday & 10am Wednesday

CLIFTON - 8am Sunday.

5th Sunday, 9am Combined Service

Enquiries - Rev Courtney Smith - phone 0447 728 227.

Scots Presbyterian Church - Allora

12 Jubb Street, Allora

Worship service each Sunday at 9.30am

including online service

Bible Study (BACAD) 7pm Wednesdays online

MEN'S BREAKFAST - held on the last Saturday of the month

A Warm Welcome to ALL.

Enquiries to -

Pastor Dan

Ph 0439 708 092

PO Box 9 Allora

The Catholic Community of

ST. PATRICK'S, ALLORA

1st SUNDAY at 9.00am, 2nd & 3rd SUNDAYS at 5.30pm, EVERY TUESDAY, 9.30am.

LAYLED LITURGY, with Communion - 4th & 5th SUNDAYS at 9.00am.

For information on Baptism, Weddings, Funerals and other church enquiries, phone 4666 3377.

St Patrick's Parish School (Prep - Yr. 6), enquiries 4666 3551.

READ LOCAL - ALLORA ADVERTISER

• ELECTRICIANS •

WILLY'S WIRING PTY LTD

Domestic • Commercial • Industrial • Air Conditioning

Renovations & new homes • Test and tag
Air conditioning • Ceiling & exhaust fans
Lighting solutions • Smoke alarms
Switch boards • Data installations
TV antennas • Undergrounds

0407 500 677
willyswiring@gmail.com
Willy's Wiring Pty Ltd
LICENCE NO: 82162

• FOR SALE •

Are you having a GARAGE SALE? Put an advert in

Allora Advertiser
and make some extra money!

Ads start from \$20

With every advertisement, you'll receive a GARAGE SALE sign and balloons.

Call in to our office at 53 Herbert Street, Allora

Phone 4666 3089

• PUBLIC NOTICES •

ALLORA SPORTS CLUB INC

Perfect for...

SOCIAL FUNCTIONS, PARTIES, & CONFERENCES

P 4666 3380
M 0437 342 870

SHAZ IS ON THE MEND



Our happy postie Shaz would like to thank everyone for their kind wishes, during her recent illness.

She's sorry for any inconvenience that this may have caused but hopes to be on the road again soon.

Then everything will be back to normal.

Rog has been kept busy and will be happy to see Shaz back to her normal happy self.

ALLORA & DISTRICT RURAL FIRE BRIGADES

advises all fires greater than 2m² require a Permit to Burn

Wardens issuing permits are:

Goomburra - Forest Springs Fire Warden District, East of New England Highway - Phone Fred McCann on Mobile 0427 663 263

Talgai - Victoria Hill Fire Warden District, West of New England Highway - Phone Mark Frizzell 4666 3792

If Fire Wardens are unavailable please ring Deputy Warden Don Burge on Mobile 0428 964 154

Massey - Hendon Rural Fire Brigade District
Phone Paul Bradfield on Mobile 0428 674 783

Have your Bush Fire plan in place.

Fire permits for the Allora urban area need to be obtained through the Captain of Allora Auxiliary Fire Brigade, Ross Williams on 0427 890 089.

LOCAL BUSINESSES & TRADERS PHONE 4666 3089 EMAIL editor@alloraadvertiser.com

HAIRDRESSERS

PR's Hair Design Ros Cave, Proprietor Professional Styling - Experienced Staff 52 Herbert Street, Allora Q. 4362 Mobile Service available Mob 0428 334 500 Ph 4666 3118

WASTE WATER

Aleson Waste Water Services PROVIDING ALL YOUR WASTE WATER NEEDS Quarterly servicing of all brands of treatment Plants Installation of Aqua Nova Waste Water Treatment Plants PUMP OUT OF: Septic Tanks, Grease Traps, Grey Water Pits 0408 061 050 0409 343 198 24/7 EMERGENCY SERVICE COUNCIL APPROVED LOCALLY OWNED BUSINESS

CONSTRUCTION

ALLORA INDEPENDENT STEEL Barron Street, Hendon, M/S 765, Allora. Phone 4666 3502 For all your Steel Requirements. Call in and get a quote on your next job. For Pipe, Panels, Posts and Gutter and Barge for the shed, we have it all in stock.

TBC CONCRETING For ALL your CONCRETING Needs! SERVICING ALL AREAS TOM BUCKLES Phone 0422 753 969 Email tombuckles454@hotmail.com ABN 83 664 506 772 QBCC 15366189

GARDEN MAINTENANCE

Daisy's Lawn Care David: 0455 686 303 Wayne: 0417 641 292

TREE SURGERY Jamie Kafoa Arborist Diploma Cert 5 Don't end up on a limb Fully Insured - Free Quotes Removal & Trimming of trees & palms Emergency Storm Works & Arborist Reports All trees cut to Aust Standards Call 0476 788 211

EARTHWORKS

KEYS EARTHMOVING Jess Keys Experienced Owner Operator • Bobcat & 7 Tonne Tipper • 4 in 1 Bucket • Post Hole Digger • 3 1/2 Tonne Excavator • House Foundations • All Earthworks • Clean Ups • Driveways • Trench Digger 0421 239 222

DOZER HIRE STRASSER EARTHMOVING Komatsu D155AX-7 All rural earthworks, Clearing, Stick raking, Quarry work, GPS levelling CALL Max Strasser 0423 281 897

DALRYMPLE LANDSCAPE HAULAGE T 4666 3989 Jackson 0417 077 377 Located at: 215 Allora Clifton Rd • Landscape Supplies • Bulk transport • Bulk Gypsum • Bulk organic fertiliser • Bulk Palagonite • Roadbase & Deco • Concrete blend • Cement & Steel • Decorative stone & pebble Pavers & blocks sales@dalrymple.net.au www.dalrymple.net.au ABN 58 122 964 943

RUHLE EARTHWORKS • General Earthworks, Erosion Repairs, Contours • Stick Raking • Cat D6M Kevin 0429 031 328 Lindsay 0427 318 784 kevin.ruhle@gmail.com ABN 74 155 343 070

PLUMBERS

A&D ALLORA & DISTRICT PLUMBING • New Homes • Maintenance • Emergency Work • Blocked Drains • Burst Pipes • Hot Water Systems alloraplumbing@gmail.com ABN 17 671 793 641 Call Ben 0459 822 488

LOCAL BUSINESSES & TRADERS PHONE 4666 3089 EMAIL editor@alloraadvertiser.com

AUTOMOTIVE SERVICES

CLIFTON AUTO AG REPAIRS FIELD SERVICE FOR TRACTORS AND FARM EQUIPMENT • Automotive repairs to all vehicles • Fully equipped workshop • Air-con & Electrical • Scan tool & EFI diagnostics • Approved inspection station - Mobile AIS • HVRAS approved • Vehicle modifications 4 King St., Clifton - P: 4697 3276 F: 4697 3331

White's Garage EST 1929 • Auto Electrical • Logbook Servicing • Wheel Alignments • Safety Certificates • Air Conditioning • All Mechanical Repairs 07 4666 3397 13 Drayton Street, Allora Qld 4362

STEELE RUDD 24 Hr Towing • Accident & Breakdown • Qld Tpt Dept Licenced • All Insurance Companies • Local & Interstate • Machinery Transport • Container Transport • On Site Container Storage Terry Mitchell M: 0458 963 222

BUILDERS

Atherton Building & Carpentry "No job too small, we do it all" • Renovations • Extensions • Alterations • Bathrooms • Decks • Kitchens • Mobility modifications for disabled and elderly Mathew Atherton 0400 463 142 QBCC Lic: 1187627 ABN: 31 948 806 781

MACPHERSON RURAL FENCING JOSH - 0427 868 599 JOSH@MACPHERSONFENCING.COM

Allora Advertiser OFFERS PROFESSIONAL PRINTING WITHOUT FUSS AT A COMPETITIVE PRICE • Invoice Books • Business Cards • Score Cards • Menus • and more! Call us... Contact 4666 3089

HARDWARE

Allora HOME Hardware OPEN: Mon - Fri 7am-5pm Sat 7am-12pm Sun 8am-12pm 44 Herbert St., Allora Ph 4666 3318 Find us on Facebook

EXTERMINATORS

RAZOR PEST CONTROL Locally Owned and Operated PMT 1003984313 FOR ALL YOUR PEST CONTROL NEEDS • COCKIES • ANTS • SPIDERS • TERMITE INSPECTIONS AND BARRIERS • PRE-PURCHASE INSPECTIONS TREVOR GREEN - CALL US FOR A QUOTE 1300 536 168 or 0408 763 506 ABN 43 104 725 215

HENTSCHEL PEST MANAGEMENT Servicing Allora, Clifton, Southern and Central Downs Household Commercial Termites ROSS HENTSCHEL 0400 705 619 hentschelpest@outlook.com

PAINTERS

Quinlan Painting 0417 641 292 FREE QUOTES

ANTHONY PARKER PAINTERS Specialising in Small Jobs • All Work Guaranteed • Domestic & Commercial • Colonials Interior & Exterior • Roofs - All Types - All Sizes • Free Quotes • Pensioner Discount Ph: (07) 4666 6236 Servicing All Areas Fax: (07) 4666 6052 PAUL PARKER Gold Card 055 555 Mob: 0418 877 333

Allora Advertiser is available in Warwick at: - HYNES NEWSAGENCY - ROSE CITY SHOPPING CENTRE - WARWICK LIBRARY - and various shops & business houses Or read the online at www.alloraadvertiser.com and www.our-news.com.au/allora-advertiser

FURNITURE INDOOR & OUTDOOR

FURNITURE, FURNITURE, & MORE FURNITURE



161-165 Jellicoe St Toowoomba O: M-F 9.00am-5pm
P: 4632 7069 Sat 8.00am-Noon



Fiveways
New & Used
Furniture
Sales

Nectre Big Bakers Oven

RRP \$5329

SAVE \$530

ON SPECIAL FOR

\$4799

Heats up a large space of up to 200m2
Oven temperature thermometer
8mm steel cooktop
Optional factory fitted domestic hot water boiler

While Stocks Last



Top of the Range
HEATING & BBQS

For our range:

www.bbqsandheating.com.au

OR VISIT OUR SHOWROOM AT

24 Stradbroke Street Toowoomba

P 4633 3892

9-5pm M-F

9-1pm Sat

THE ALLORA ADVERTISER OFFICE IS CLOSED EVERY THURSDAY

The office will OPEN every Monday, Tuesday, Wednesday and Friday from 9am.

If you have an enquiry on Thursday please phone The Clifton Courier Office on 4697 3603

Allora Golf Notes



Allora's pretty golf course welcomes visitors



Friday's Allora Hardware duck run

The winners were: 1st: Hethe Ramus - 23 points, 2nd: Ben Duff - 22 points.

Approach on the 14th: Ben Duff.

Nearest the pin on the 17th: Ben Duff.

Long putt on the 11th: Jacob Meddleton.

Sunday's Amy's Cafe Monthly Medley

The winners were: 1st: Rod Simpson - +1, 2nd: Doreen Duffy - square, 3rd: Brooke Gilmore - -1.

Pin shots: 4th: Willy Duff, 7th: Kev Hurley, 13th: Kev Harrison, 17th: Lindsay May.

Approaches: 3rd: Brooke Gilmore, 12th: Kev Harrison, 14th: Tom Kolenich.

Long putts: 9th: Andrew Cody, 18th: John Sparksman

Coming up:

Sunday 18 August - Ty Gardner Concreting Monthly Medal (stroke)

Sunday 25 August - Allora Butchery 2-person Ambrose

UFORCE 1000EPS

~~\$19,490~~

\$17,490

RIDE AWAY

SAVE \$2000

Purchase a UFORCE 1000EPS within the promotional period and \$2,000 off the ride away price

* Offer valid 01/07/2024 to 30/09/2024



CFMOTO

MID YEAR SALE

Toowoomba
Bikes & Bits

(07) 4632 1700 1A Goggs Street, Toowoomba

CFMOTO
CFMOTO.COM.AU